

DRILLS



- Drills**
- Metal
- Wood
- Masonry
- Specialty

| Catalogue Code | Page | Wood | | | | | | Metal | | | | | | | | Masonry | | | | | | | | Specialty Materials | | | | | | | |
|----------------|------|-----------------------|--------------|---------|-----------|-----|--------------------------|-------|------------|-----------------|-----------|----------------|-----------|-------------|-------------|---------------|--------------|------------------|-------|-------|----------|---------------------|-------|---------------------|--------|--------------|---------|-------|------------|--------------|--|
| | | Hard wood & soft wood | Wood & nails | Plywood | Chipboard | MDF | Laminated particle board | Steel | Hard Steel | Stainless steel | Aluminium | Copper & Brass | Cast iron | Sheet metal | Metal pipes | Plaster board | Cement sheet | Ceramics & Tiles | Hebel | Brick | Concrete | Reinforced Concrete | Stone | Granite | Marble | PVC Plastics | Acrylic | Glass | Fibreglass | Carbon Fibre | |
| D101 | 26 | ○ | ○ | ○ | ○ | ○ | | ● | | | ● | ● | | ○ | ○ | ○ | | | | | | | | | | ○ | | | | | |
| D103 | 11 | ○ | ○ | ○ | ○ | ○ | | ● | ○ | ○ | ○ | ○ | ● | ○ | ○ | ○ | | | | | | | | | | ○ | | | | | |
| D105 | 18 | ○ | ○ | ○ | ○ | ○ | ○ | ● | | | ● | ● | | ○ | ○ | ○ | | | | | | | | | | ○ | | | | | |
| D108 | 24 | ○ | ○ | ○ | ○ | ○ | | ● | ● | ● | ○ | ○ | ● | ○ | ● | ○ | | | | | | | | | | ○ | | | | | |
| D110 | 33 | ○ | ○ | ○ | ○ | | | ● | | | ● | ● | ○ | ○ | ○ | ○ | | | | | | | | | | ○ | | | | | |
| D125 | 40 | | | | | | | ● | | | ○ | ○ | | ● | | | | | | | | | | | | ○ | | | | | |
| D128 | 40 | | | | | | | ● | | ○ | ○ | ○ | | ● | | | | | | | | | | | | ○ | | | | | |
| D130 | 40 | | | | | | | ● | ○ | ● | ○ | ○ | | ● | | | | | | | | | | | | ○ | | | | | |
| D134 | 40 | | | | | | | ● | | | ● | ● | | ● | | | | | | | | | | | | ○ | | | | | |
| D183 | 30 | ● | | ● | ○ | ○ | ○ | ● | | | ● | ● | | ● | ○ | | | | | | | | | | | ○ | | | | | |
| D184 | 20 | ○ | ○ | ○ | ○ | ○ | ○ | ● | | ● | ● | ● | ○ | ● | ○ | | | | | | | | | | | ○ | | | | | |
| D185 | 23 | | | | | | | ● | | ● | | ● | | ● | ○ | | | | | | | | | | | ● | | | | | |
| D187 | 35 | ○ | ○ | ○ | ○ | ○ | | ● | | | ● | ● | ○ | ○ | | | | | | | | | | | | ○ | | | | | |
| D188 | 37 | ○ | ○ | ○ | ○ | | | ● | | | ○ | ○ | ○ | | | | | | | | | | | | | ○ | | | | | |
| D500 | 50 | ● | | ● | ● | ● | ○ | | | | | | | | ○ | | | | | | | | | | | | | | | | |
| D501 | 45 | ● | | ○ | ○ | ● | ○ | | | | | | | | | | | | | | | | | | | | | | | | |
| D510 | 47 | ● | | ○ | ○ | ○ | | | | | | | | | | | | | | | | | | | | | | | | | |
| D514 | 49 | ● | | ○ | ○ | ○ | | | | | | | | | | | | | | | | | | | | | | | | | |
| D600 | 52 | | | | | | | | | | | | | | ● | ● | | ● | ● | ● | | ● | ○ | ○ | | | | | | | |
| D604 | 64 | | | | | | | | | | | | | | | | ○ | | ● | | | | | | ○ | ○ | ● | ○ | ○ | | |
| D605 | 65 | | | | | | | | | | | | | | | | ● | | | | | ○ | ● | ● | | | ● | ○ | ○ | | |
| D606 | 56 | | | | | | | | | | | | | | ● | ● | | ● | ● | ● | | ● | ○ | ○ | | | | | | | |
| D609 | 55 | | | | | | | | | | | | | | ● | ● | | ● | ● | ● | | ● | ○ | ○ | | | | | | | |
| D610 | 51 | ○ | ○ | ○ | ○ | ○ | | ○ | ○ | ○ | ○ | ○ | ○ | ● | ● | ● | ○ | ○ | ○ | ○ | ○ | ○ | ○ | ○ | ○ | ○ | ○ | ○ | ○ | ○ | |
| D612 | 58 | | | | | | | | | | | | | | | ● | | ● | ● | ● | | ● | ○ | | | | | | | | |
| D623 | 59 | | | | | | | | | | | | | | ● | | ● | ● | ● | ● | ● | ● | ● | ○ | | | | | | | |

● Optimal ○ Effective

Drills

Drills Index

| | | | |
|----|--|----|--|
| 68 | Chisels SDS Plus / SDS Max | 56 | Drills Masonry – <i>Optima</i> |
| 65 | Core Bits Diamond – <i>Blue Ceram</i> | 62 | Drills Masonry SDS Max – <i>B3Max</i> |
| 67 | Core Bits TCT – SDS Plus / SDS Max | 63 | Drills Masonry SDS Max – <i>Ultimax</i> |
| 47 | Drills Auger Bits | 59 | Drills Masonry SDS Multi-fit – <i>Booster</i> |
| 49 | Drills Auger Bits – 4 Flute | 58 | Drills Masonry SDS Multi-fit – <i>Twister</i> |
| 64 | Drills Glass & Tile | 61 | Drills Masonry SDS Plus – <i>Booster Plus</i> |
| 32 | Drills Jobber – <i>Blackmax</i> | 57 | Drills Masonry SDS Plus – <i>Runner +</i> |
| 27 | Drills Jobber – Bulk Pack – Imperial | 60 | Drills Masonry SDS Plus – <i>Twister Plus</i> |
| 26 | Drills Jobber – Bulk Pack – Metric | 35 | Drills Mini Hand Drill |
| 24 | Drills Jobber – Cobalt | 51 | Drills Multi-Purpose |
| 19 | Drills Jobber – <i>Hi Power</i> * | 40 | Drills Panel & Rivet – Double Ended |
| 30 | Drills Jobber – Impact | 39 | Drills Panel & Rivet – Single Ended |
| 23 | Drills Jobber – <i>INOX</i> | 37 | Drills Reduced Shank |
| 22 | Drills Jobber – TiNite | 36 | Drills Reduced Shank – Sets |
| 18 | Drills Jobber – <i>Viper</i> | 17 | Drills Sets – DIY Range |
| 20 | Drills Jobber – <i>Viper Plus</i> | 13 | Drills Sets – Imperial |
| 21 | Drills Jobber – <i>Workshop</i> | 11 | Drills Sets – Metric |
| 33 | Drills Long Series | 45 | Drills Spade Bits |
| 35 | Drills Long Series – Extra Long Reach | 43 | Drills Spot Weld |
| 52 | Drills Masonry | 44 | Drills Step Drills |
| 54 | Drills Masonry – DIY Range | 69 | Drills Technical Information |
| 55 | Drills Masonry – Impact | 50 | Drills Wood Bits |

suttontools



D105 SLV7M



D105 SLV10M



D105 SLV13M



D105 V2M



D105 V3M



D179 SM2



D179 SM3



D101 SM1



D101 SM2



D101 SM3



D101 MTL SM2



D101 MTL SM3



D102 SM2



D102 SM3



D102 SM1



D101 SM30



D101 SM41



D102 SM30



D102 SM41



D102 SM99



D180 SM2



D180 SM3



D103 SM2



D103 SM3



D101 SM7



D109 SM2



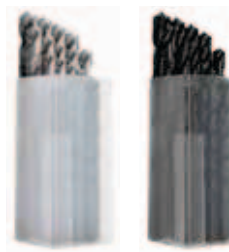
D109 SM3



D101 SRK20



D101 SRKM2 D101 SRKM3



D101 SM8 D102 SM8

suttontools



Viper Drills

The Viper bit point design is 118° split point is self-centering. It minimises wandering when starting and requires less power when drilling.

Viper Plus Drills

Industrial quality drill bit designed for machine and hand held drilling in stainless steel, steel, aluminium, cast iron, brass, wood and plastic.

Bright Drills

General purpose drill bit designed for machine and hand held drilling in a wide range of ferrous & non-ferrous materials.

Blue Drills

The blue finish reduces chip build up on the cutting edge and is a better choice when drilling ferrous materials.

TiN Drills

Lasts up to 6 times longer than standard HSS drill bits.

INOX Drills

Industrial quality drilling solution specially designed for superior performance in stainless steel.

Cobalt HSS Drills

For drilling stainless steel and other tough materials.

| Description | Drill Sizes | Case | Pieces | Item # | Barcode | Price |
|---|--|-----------|--------|--------------|---------------|-------|
| Viper Sets (A1202) | | | | D105 | | |
| SLV7M | 1.5, 2.0, 3.0, 4.0, 5.0, 5.5, 6.0mm | Plastic | 7 | D105 SLV7M | 9311963375045 | |
| SLV10M | 1.0mm – 10.0mm x 1.0mm | Plastic | 10 | D105 SLV10M | 9311963375052 | |
| SLV13M | 1.5mm – 6.5mm x 0.5mm + 3.2mm, 4.8mm | Plastic | 13 | D105 SLV13M | 9311963375069 | |
| V2M | 1.0mm – 10.0mm x 0.5mm | ABS | 19 | D105 V2M | 9311963374994 | |
| V3M | 1.0mm – 13.0mm x 0.5mm (10.5-13.0mm x 10.0mm Shanks) | ABS | 25 | D105 V3M | 9311963358215 | |
| Viper Plus Sets (A1202) | | | | D179 | | |
| SM2 | 1.0 – 10.0mm x 0.5 | ABS | 19 | D179 SM2 | 9311963586182 | |
| SM3 | 1.0 – 13.0mm x 0.5 | ABS | 25 | D179 SM3 | 9311963586199 | |
| Bright Drill Sets (A1202) | | | | D101 | | |
| SM1 | 1.5mm – 6.5mm x 0.5mm + 3.2mm, 4.8mm | Plastic | 13 | D101 SM1 | 9311963001661 | |
| SM2 | 1.0 – 10.0mm x 0.5 | ABS | 19 | D101 SM2 | 9311963001258 | |
| SM3 | 1.0 – 13.0mm x 0.5 | ABS | 25 | D101 SM3 | 9311963000718 | |
| SM8 | 1.0 – 3.0mm x 0.25, 3.5 – 13.0mm x 0.5 (Suits SM7 Stand) | Quad Pack | 29 | D101 SM8 | 9311963015163 | |
| MTLSM2 | 1.0 – 10.0mm x 0.5 | Metal | 19 | D101 MTL SM2 | 9311963601199 | |
| MTLSM3 | 1.0 – 13.0mm x 0.5 | Metal | 25 | D101 MTL SM3 | 9311963601205 | |
| SM30 | 1.0mm – 5.9mm x 0.1 | Metal | 50 | D101 SM30 | 9311963117720 | |
| SM41 | 6.0mm – 10.0mm x 0.1 | Metal | 41 | D101 SM41 | 9311963117737 | |
| Refill Kits (A1202) | | | | | | |
| SRKM2 | 1.5mm – 3.5mm x 0.5mm | Tray | 5 | D101 SRKM2 | 9311963191492 | |
| SRKM3 | 1.5, 2.0, 3.0, 4.0, 5.0mm | Tray | 5 | D101 SRKM3 | 9311963191508 | |
| SRK20 | Merchandise 5 each: SRK2, SRK3, SMRK2, SMRK3 | | 20 | D101 SRK20 | 9311963359595 | |
| Blue Drill Sets (A1202) | | | | D102 | | |
| SM1 | 1.5mm – 6.5mm x 0.5mm + 3.2mm, 4.8mm | Plastic | 13 | D102 SM1 | 9311963047034 | |
| SM2 | 1.0 – 10.0mm x 0.5 | ABS | 19 | D102 SM2 | 9311963047041 | |
| SM3 | 1.0 – 13.0mm x 0.5 | ABS | 25 | D102 SM3 | 9311963047058 | |
| SM8 | 1.0 – 3.0mm x 0.25, 3.5 – 13.0mm x 0.5 (Suits SM7 Stand) | Quad Pack | 29 | D102 SM8 | 9311963098289 | |
| SM30 | 1.0mm – 5.9mm x 0.1 | Metal | 50 | D102 SM30 | 9311963006987 | |
| SM41 | 6.0mm – 10.0mm x 0.1 | Metal | 41 | D102 SM41 | 9311963034973 | |
| SM99 | 1.0 – 10.0mm x 0.1 (Plus 10.5, 10.9, 11.0, 11.5, 11.9, 12.0, 12.5, 12.9, 13.0mm) | Plastic | 100 | D102 SM99 | 9311963334738 | |
| TiN Drill Sets (A1216) | | | | D103 | | |
| SM1 | 1.0 – 6.5mm x 0.5 | ABS | 12 | D103 SM1 | 9311963080758 | |
| SM2 | 1.0 – 10.0mm x 0.5 | ABS | 19 | D103 SM2 | 9311963080864 | |
| SM3 | 1.0 – 13.0mm x 0.5 | ABS | 25 | D103 SM3 | 9311963071435 | |
| INOX Sets (A1202) | | | | D180 | | |
| SM2 | 1.0 – 10.0mm x 0.5 | ABS | 19 | D180 SM2 | 9311963512693 | |
| SM3 | 1.0 – 13.0mm x 0.5 | ABS | 25 | D180 SM3 | 9311963512709 | |
| Cobalt Drill Sets (A0404) | | | | D109 | | |
| SM1 | 2.0 – 6.5mm x 0.5 | ABS | 10 | D109 SM1 | 9311963122014 | |
| SM2 | 1.0 – 10.0mm x 0.5 | ABS | 19 | D109 SM2 | 9311963122021 | |
| SM3 | 1.0 – 13.0mm x 0.5 | ABS | 25 | D109 SM3 | 9311963122038 | |
| Drill Stands (Z0204) | | | | | | |
| SM7 | 1.0 – 3.0mm x 0.25, 3.5 – 13.0mm x 0.5 | Metal | 1 | D101 SM7 | 9311963004334 | |
| Reduced Shank Drill Sets (A1202) | | | | D188 | | |
| RS4M | 16.0, 18.0, 22.0, 25.0mm with 12.5mm shanks | Foam | 4 | D188 RS4M | 9311963333472 | |
| SM8R | 14.0, 15.0, 16.0, 16.5, 18.0, 20.0, 22.0, 25.0mm with 12.5mm shanks | Plastic | 8 | D188 SM8R | 9311963191522 | |

suttontools



D105 SLV7



D105 SLV10



D105 SLV13



D105 V2



D105 V3



D179 S2



D179 S3



D101 S1



D101 S2



D101 S3



D101 MTL S2



D101 MTL S3



D102 S1



D102 S2



D102 S3



D101 S30



D101 S31



D103 S2



D109 S3



D101 S7



D109 S2



D109 S3



D101 SRK20



D101 SRK1



D101 SRK2



D101 SRK3



D102 S8

suttontools



Viper Drills

The Viper bit point design is 118° split point is self-centering. It minimises wandering when starting and requires less power when drilling.

Viper Plus Drills

Industrial quality drill bit designed for machine and hand held drilling in stainless steel, steel, aluminium, cast iron, brass, wood and plastic.

Bright Drills

General purpose drill bit designed for machine and hand held drilling in a wide range of ferrous & non-ferrous materials.

Blue Drills

The blue finish reduces chip build up on the cutting edge and is a better choice when drilling ferrous materials.

TiN Drills

Lasts up to 6 times longer than standard HSS drill bits.

Cobalt HSS Drills

For drilling stainless steel and other tough materials.

| Description | Drill Sizes | Case | Pieces | Item # | Barcode | Price |
|---|--|-----------|--------|-------------|---------------|-------|
| Viper Sets (A1202) | | | | D105 | | |
| SLV7 | 1/16 – 1/4 x 1/32 | Plastic | 7 | D105 SLV7 | 9311963375007 | |
| SLV10 | 1/16 – 5/32 x 1/64 + 3/16, 7/32, 1/4 | Plastic | 10 | D105 SLV10 | 9311963375014 | |
| SLV11 | 1/16 – 3/8 x 1/32 | Plastic | 11 | D105 SLV11 | 9311963375021 | |
| SLV13 | 1/16 – 1/4 x 1/64 | Plastic | 13 | D105 SLV13 | 9311963375038 | |
| V2 | 1/16 – 3/8 x 1/64 | ABS | 21 | D105 V2 | 9311963374987 | |
| V3 | 1/16 – 1/2 x 1/64 (25/64 – 1/2 x 3/8 Shanks) | ABS | 29 | D105 V3 | 9311963358208 | |
| Viper Plus Sets (A1202) | | | | D179 | | |
| S2 | 1/16 – 3/8 x 64ths | ABS | 21 | D179 S2 | 9311963586175 | |
| S3 | 1/16 – 1/2 x 64ths | ABS | 29 | D179 S3 | 9311963579740 | |
| Bright Drill Sets (A1202) | | | | D101 | | |
| S1 | 1/16 – 1/4 x 64ths | Plastic | 13 | D101 S1 | 9311963000831 | |
| S2 | 1/16 – 3/8 x 64ths | ABS | 21 | D101 S2 | 9311963000343 | |
| S3 | 1/16 – 1/2 x 64ths | ABS | 29 | D101 S3 | 9311963000060 | |
| MTLS2 | 1/16 – 3/8 x 64ths | Metal | 21 | D101 MTLS2 | 9311963601168 | |
| MTLS3 | 1/16 – 1/2 x 64ths | Metal | 29 | D101 MTLS3 | 9311963601175 | |
| S30 | #1 – #60 Wire Gauge | Metal | 60 | D101 S30 | 9311963006079 | |
| S31 | #61 – #80 Wire Gauge | Plastic | 20 | D101 S31 | 9311963007847 | |
| Refill Kits (A1202) | | | | | | |
| SRK1 | 1/16, 3/32, 1/8 | Tray | 3 | D101 SRK1 | 9311963046914 | |
| SRK2 | 1/16 – 1/8 x 1/64ths | Tray | 5 | D101 SRK2 | 9311963046921 | |
| SRK3 | 1/16 – 3/16 x 1/32nds | Tray | 5 | D101 SRK3 | 9311963046938 | |
| SRK20 | Merchandise 5 each: SRK2, SRK3, SRKM2, SRKM3 | | 20 | D101 SRK20 | 9311963359595 | |
| Blue Drill Sets (A1202) | | | | D102 | | |
| S1 | 1/16 – 1/4 x 64ths | Plastic | 13 | D102 S1 | 9311963034980 | |
| S2 | 1/16 – 3/8 x 64ths | ABS | 21 | D102 S2 | 9311963034997 | |
| S3 | 1/16 – 1/2 x 64ths | ABS | 29 | D102 S3 | 9311963028828 | |
| S8 | 1/16 – 1/2 x 64ths (Suits S7 Stand) | Quad Pack | 29 | D102 S8 | 9311963046990 | |
| TiN Drill Sets (A1216) | | | | D103 | | |
| S1 | 1/16 – 1/4 x 64ths | ABS | 13 | D103 S1 | 9311963067285 | |
| S2 | 1/16 – 3/8 x 64ths | ABS | 21 | D103 S2 | 9311963067278 | |
| S3 | 1/16 – 1/2 x 64ths | ABS | 29 | D103 S3 | 9311963067261 | |
| Cobalt Drill Sets (A0404) | | | | D109 | | |
| S1 | 1/16 – 1/4 x 64ths | ABS | 13 | D109 S1 | 9311963100258 | |
| S2 | 1/16 – 3/8 x 64ths | ABS | 21 | D109 S2 | 9311963100265 | |
| S3 | 1/16 – 1/2 x 64ths | ABS | 29 | D109 S3 | 9311963100272 | |
| Drill Stands (Z0204) | | | | | | |
| S7 | 1/16 – 1/2 x 64ths | Metal | 1 | D101 S7 | 9311963003610 | |
| Reduced Shank Drill Sets (A1202) | | | | D188 | | |
| RS4 | 5/8, 3/4, 7/8, 1 with 1/2" shanks | Foam | 4 | D188 RS4 | 9311963333458 | |
| S8R | 9/16, 5/8, 11/16, 3/4, 13/16, 7/8, 15/16, 1 with 1/2" shanks | Plastic | 8 | D188 S8R | 9311963191515 | |
| RS16 | 17/32, 9/16, 19/32, 5/8, 21/32, 11/16, 23/32, 3/4, 25/32, 13/16, 27/32, 7/8, 29/32, 15/16, 31/32, 1 with 1/2" shanks | Plastic | 16 | D188 RS16 | 9311963401188 | |



150B00WM1



151C00F1M



150B00WF1



151C000F1



150B00WM2



151C00F2M



150B00WF2



151C000F2



150B00WM3



151C00F3M



150B00WF3



151C000F3



150B00BM2



150B00BM3



150B00BF2



150B00BF3



150B0WS13



150B0WS2M



150B0WS3M



1620500



1620480



1620490



Check out the demo



Bright Drills

General purpose drill bit designed for machine and hand held drilling in a wide range of ferrous & non-ferrous materials.

Blue Drills

The blue finish reduces chip build up on the cutting edge and is a better choice when drilling ferrous materials.

TiN Coated Drills

Lasts up to 3 times longer than standard HSS drill bits.

| Description | Drill Sizes | Case | Pieces | Item # | Barcode | Price |
|---|--|---------|--------|-----------|---------------|-------|
| Bright Drill Sets - Metric (A1202)* | | | | | | |
| WM1 | 1.0 – 6.5mm x 0.5mm rises | Metal | 12 | 150B00WM1 | 9311744080083 | |
| WM2 | 1.0 – 10.0mm x 0.5mm rises | Metal | 19 | 150B00WM2 | 9311744080090 | |
| WM3 | 1.0 – 13.0mm x 0.5mm rises | Metal | 25 | 150B00WM3 | 9311744080007 | |
| Bright Drill Sets - Imperial (A1202)* | | | | | | |
| WF1 | 1/16 – 1/4 x 1/64 rises | Metal | 13 | 150B00WF1 | 9311744080052 | |
| WF2 | 1/16 – 3/8 x 1/64 rises | Metal | 21 | 150B00WF2 | 9311744080069 | |
| WF3 | 1/16 – 1/2 x 1/64 rises | Metal | 29 | 150B00WF3 | 9311744080076 | |
| Black Max (A1202) | | | | | | |
| BM2 | 1.0 – 10.0mm x 0.5mm rises | ABS | 19 | 150B00BM2 | 9311744436187 | |
| BM3 | 1.0 – 13.0mm x 0.5mm rises | ABS | 25 | 150B00BM3 | 9311744436194 | |
| BF2 | 1/16 – 3/8 x 1/64 rises | ABS | 21 | 150B00BF2 | 9311744436156 | |
| BF3 | 1/16 – 1/2 x 1/64 rises | ABS | 29 | 150B00BF3 | 9311744436163 | |
| Workshop - HSS, TiN coated tip (A1202) | | | | | | |
| WS13 | 1.5 – 6.5mm x 0.5mm + 3.3 & 4.2mm | Plastic | 13 | 150B0WS13 | 9311744442010 | |
| WS2M | 1.0–10.0 x 0.5mm rises | Plastic | 19 | 150B0WS2M | 9311744439089 | |
| WS3M | 1.0–13.0 x 0.5mm rises | Plastic | 25 | 150B0WS3M | 9311744439096 | |
| Reduced Shank Sets (A0906) | | | | | | |
| 8M | 14, 15, 16, 16.5, 18, 20, 22, 25mm with 1/2" reduced shank | Plastic | 8 | 1620500 | 9312621736208 | |
| #8 | 9/16 – 1 in 1/16 rises with 1/2" reduced shank | Plastic | 8 | 1620480 | 9312621736314 | |
| #16 | 17/32 – 1 in 1/32 rises with 1/2" reduced shank | Plastic | 16 | 1620490 | 9312621736321 | |
| Empty Set Boxes (Z0202)* | | | | | | |
| M1/WM1 | | Metal | - | 151C00F1M | 9311744102136 | |
| M2/WM2 | | Metal | - | 151C00F2M | 9311744102143 | |
| M3/WM3 | | Metal | - | 151C00F3M | 9311744102167 | |
| No. 1/WF1 | | Metal | - | 151C000F1 | 9311744102044 | |
| No. 2/WF2 | | Metal | - | 151C000F2 | 9311744102051 | |
| No. 3/WF3 | | Metal | - | 151C000F3 | 9311744102068 | |



*Not available once current stock is depleted



TRADE TOUGH



DD13M



92256



92258



92260

TRADE TOUGH



DD13



92250



92252



92254



92365



92366

TRADE TOUGH



92458



92286



92452



92266



92270



92356

TRADE TOUGH



394098005



High Speed Steel

General purpose drill bit designed for machine and hand held drilling in metal, wood and plastic

Discount Group: A1202

| Description | Drill Sizes | Case | Pieces | Order Qty | Item # | Barcode | Price |
|--|--|-----------|--------|-----------|-----------|---------------|-------|
| HSS Drill Sets | | | | | | | |
| DD13M | 1.0 – 6.5mm in 0.5mm rises | Dial Case | 13 | 15 | 394098101 | 9311963357010 | |
| M1 | 1.5 – 6.5mm in 0.5mm rises plus 3.3 & 4.2mm | Plastic | 13 | 1 | 92256 | 9312621922564 | |
| M2 | 1.0 – 10mm in 0.5mm rises | Plastic | 19 | 1 | 92258 | 9312621922588 | |
| M3 | 1.0 – 13mm in 0.5mm rises | Plastic | 25 | 1 | 92260 | 9312621922601 | |
| DD13 | | | | | | | |
| DD13 | 1/16 – 1/4" in 64th rises | Dial Case | 13 | 15 | 394098001 | 9311963168395 | |
| F1 | 1/16 – 1/4" in 64th rise | Plastic | 13 | 1 | 92250 | 9312621922502 | |
| F2 | 1/16 – 3/8" in 64th rises | Plastic | 21 | 1 | 92252 | 9312621922526 | |
| F3 | 1/16 – 1/2" in 64th rises | Plastic | 29 | 1 | 92254 | 9312621922540 | |
| Panel & Rivets – Double Ended | | | | | | | |
| #30 | | Carded | 2 | 1 | 92365 | 9312621923653 | |
| #30 | | Carded | 10 | 1 | 92366 | 9312621923660 | |
| Spade Bit Sets | | | | | | | |
| | 19, 22 & 25mm | Blister | 3 | 1 | 92458 | 9312621924582 | |
| | 12, 16, 18, 20 & 25mm | Blister | 5 | 1 | 92286 | 9312621922861 | |
| | 16, 19, 22, 25 & 32mm, includes 150mm extension shank and allen key | Blister | 6 | 1 | 92452 | 9312621924520 | |
| Wood Drill Set – Brad pointed | | | | | | | |
| | 3, 4, 5, 6, 7, 8, 9 & 10mm | Plastic | 8 | 1 | 92270 | 9312621922700 | |
| Masonry Drill Sets – DIY Range | | | | | | | |
| | 3, 4, 5, 6, 6.5, 8, 9 & 10mm | Plastic | 8 | 1 | 92266 | 9312621922663 | |
| | 4, 5, 6, 6.5, 8, 10 & 12mm | Plastic | 7 | 1 | 92356 | 9312621923561 | |
| D9C | Combination Set: 4 masonry & 5 HSS drill bits | Blister | 9 | 10 | 394098005 | 9311963335049 | |
| SDS | Masonry Drill & Chisel Set: 12 masonry, 3 flat chisels & 2 Point chisels | Aluminium | 17 | 1 | 92346 | 9312621923462 | |



92346

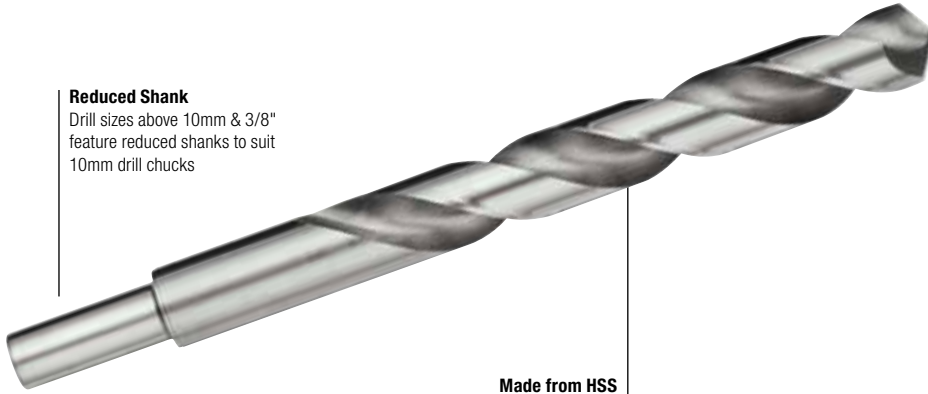


General purpose drill bit designed for machine and hand held drilling in a wide range of ferrous & non-ferrous materials.

118° Split Point
Drills >3.5mm & 9/64"
Minimises wandering
when starting



Reduced Shank
Drill sizes above 10mm & 3/8"
feature reduced shanks to suit
10mm drill chucks



Made from HSS
Stronger and out performs
a conventional drill bit

Application

- DIY
- Trade
- Automotive
- Electrician
- Plumber
- Carpenter
- General Contractor
- Woodworker
- Metalworker
- Machine Shop
- MRO

Discount Group: A0410

| Diameter mm | O/A Length | Flute Length | Shank | Item # | Barcode | Price |
|---------------|------------|--------------|-------|-------------|----------|-------|
| | | | | D105 | | |
| Metric | | | | | | |
| 1.00 | 34 | 12 | | D105 0100 | 93221153 | |
| 1.50 | 40 | 18 | | D105 0150 | 93221160 | |
| 2.00 | 49 | 24 | | D105 0200 | 93221177 | |
| 2.50 | 57 | 30 | | D105 0250 | 93221184 | |
| 3.00 | 61 | 33 | | D105 0300 | 93221191 | |
| 3.50 | 70 | 39 | | D105 0350 | 93221207 | |
| 4.00 | 75 | 43 | | D105 0400 | 93221214 | |
| 4.50 | 80 | 47 | | D105 0450 | 93221221 | |
| 5.00 | 86 | 52 | | D105 0500 | 93221238 | |
| 5.50 | 93 | 57 | | D105 0550 | 93221245 | |
| 6.00 | 93 | 57 | | D105 0600 | 93221252 | |
| 6.50 | 101 | 63 | | D105 0650 | 93221269 | |
| 7.00 | 109 | 69 | | D105 0700 | 93221276 | |
| 7.50 | 109 | 69 | | D105 0750 | 93221283 | |
| 8.00 | 117 | 75 | | D105 0800 | 93221290 | |
| 8.50 | 117 | 75 | | D105 0850 | 93221306 | |
| 9.00 | 125 | 81 | | D105 0900 | 93221313 | |
| 9.50 | 125 | 81 | | D105 0950 | 93221320 | |
| 10.00 | 133 | 87 | | D105 1000 | 93220637 | |
| 10.50* | 133 | 87 | 10 | D105 1050 | 93220644 | |
| 11.00* | 142 | 94 | 10 | D105 1100 | 93220651 | |
| 11.50* | 142 | 94 | 10 | D105 1150 | 93220668 | |
| 12.00* | 151 | 101 | 10 | D105 1200 | 93220675 | |
| 12.50* | 151 | 101 | 10 | D105 1250 | 93220682 | |
| 13.00* | 151 | 101 | 10 | D105 1300 | 93220699 | |

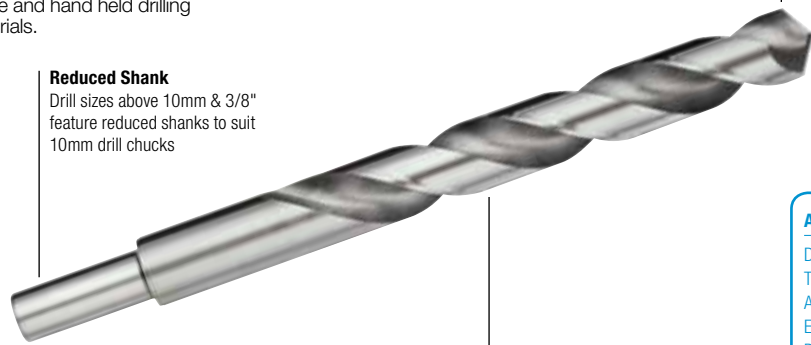
| Diameter inch | Diameter mm | O/A Length | Flute Length | Shank | Item # | Barcode | Price |
|-----------------|-------------|------------|--------------|-------------|-----------|----------|-------|
| | | | | D105 | | | |
| Imperial | | | | | | | |
| 1/16 | 1.59 | 48 | 22 | | D105 0159 | 93220545 | |
| 5/64 | 1.98 | 51 | 25 | | D105 0198 | 93220552 | |
| 3/32 | 2.38 | 57 | 32 | | D105 0238 | 93220569 | |
| 7/64 | 2.78 | 67 | 38 | | D105 0278 | 93220576 | |
| 1/8 | 3.18 | 70 | 41 | | D105 0318 | 93220583 | |
| 9/64 | 3.57 | 73 | 44 | | D105 0357 | 93220590 | |
| 5/32 | 3.97 | 79 | 51 | | D105 0397 | 93220606 | |
| 11/64 | 4.37 | 83 | 54 | | D105 0437 | 93220613 | |
| 3/16 | 4.76 | 89 | 59 | | D105 0476 | 93220620 | |
| 13/64 | 5.16 | 92 | 62 | | D105 0516 | 93220958 | |
| 7/32 | 5.56 | 95 | 64 | | D105 0556 | 93220965 | |
| 15/64 | 5.95 | 98 | 67 | | D105 0595 | 93220972 | |
| 1/4 | 6.35 | 101 | 63 | | D105 0635 | 93220989 | |
| 17/64 | 6.75 | 105 | 73 | | D105 0676 | 93220996 | |
| 9/32 | 7.14 | 108 | 75 | | D105 0714 | 93221009 | |
| 19/64 | 7.54 | 111 | 78 | | D105 0754 | 93221016 | |
| 5/16 | 7.94 | 114 | 81 | | D105 0794 | 93221023 | |
| 21/64 | 8.33 | 117 | 84 | | D105 0833 | 93221030 | |
| 11/32 | 8.73 | 121 | 87 | | D105 0873 | 93221047 | |
| 23/64 | 9.13 | 124 | 89 | | D105 0913 | 93221054 | |
| 3/8 | 9.52 | 127 | 92 | | D105 0953 | 93221061 | |
| 25/64* | 9.92 | 130 | 95 | 3/8 | D105 0992 | 93221078 | |
| 13/32* | 10.32 | 133 | 98 | 3/8 | D105 1032 | 93221085 | |
| 27/64* | 10.72 | 137 | 100 | 3/8 | D105 1072 | 93221092 | |
| 7/16* | 11.11 | 140 | 103 | 3/8 | D105 1111 | 93221108 | |
| 29/64* | 11.51 | 143 | 106 | 3/8 | D105 1151 | 93221115 | |
| 15/32* | 11.91 | 146 | 110 | 3/8 | D105 1191 | 93221122 | |
| 31/64* | 12.30 | 151 | 111 | 3/8 | D105 1231 | 93221139 | |
| 1/2* | 12.70 | 152 | 114 | 3/8 | D105 1269 | 93221146 | |



General purpose drill bit designed for machine and hand held drilling in a wide range of ferrous & non-ferrous materials.



Reduced Shank
Drill sizes above 10mm & 3/8" feature reduced shanks to suit 10mm drill chucks



Made from HSS
Stronger and out performs a conventional drill bit

118° Split Point
Drills >3.5mm & 9/64"
Minimises wandering when starting

Application

- DIY
- Trade
- Automotive
- Electrician
- Plumber
- Carpenter
- General Contractor
- Woodworker
- Metalworker
- Machine Shop
- MRO

Discount Group: A0410

| Diameter mm | O/A Length | Flute Length | Shank | Item # | Barcode | Price |
|-------------------------------------|------------|--------------|-------|-----------|---------------|-------|
| Metric | | | | | | |
| 1.00 | 33 | 11 | | 105B00394 | 9311744018024 | |
| 1.50 | 39 | 17 | | 105B00591 | 9311744018031 | |
| 2.00 | 48 | 23 | | 105B00787 | 9311744018048 | |
| 2.50 | 56 | 29 | | 105B00984 | 9311744018055 | |
| 3.00 | 60 | 32 | | 105B01181 | 9311744018062 | |
| 3.50 | 68 | 37 | | 105B01378 | 9311744018079 | |
| 4.00 | 73 | 41 | | 105B01575 | 9311744018086 | |
| 4.50 | 78 | 45 | | 105B01772 | 9311744018093 | |
| 5.00 | 84 | 50 | | 105B01968 | 9311744018109 | |
| 5.50 | 91 | 55 | | 105B02165 | 9311744018116 | |
| 6.00 | 91 | 55 | | 105B02362 | 9311744018123 | |
| 6.50 | 99 | 61 | | 105B02559 | 9311744018130 | |
| 7.00 | 107 | 67 | | 105B02756 | 9311744018147 | |
| 7.50 | 107 | 67 | | 105B02953 | 9311744018154 | |
| 8.00 | 115 | 73 | | 105B03150 | 9311744018161 | |
| 8.50 | 115 | 73 | | 105B03346 | 9311744018178 | |
| 9.00 | 123 | 79 | | 105B03543 | 9311744018185 | |
| 9.50 | 123 | 79 | | 105B03740 | 9311744018192 | |
| 10.00 | 131 | 85 | | 105B03937 | 9311744018208 | |
| 10.50† | 131 | 96 | 10 | 105B04134 | 9311744018215 | |
| 11.00† | 140 | 104 | 10 | 105B04331 | 9311744018222 | |
| 11.50† | 140 | 104 | 10 | 105B04528 | 9311744018239 | |
| 12.00† | 149 | 111 | 10 | 105B04724 | 9311744018246 | |
| 12.50† | 149 | 111 | 10 | 105B04921 | 9311744018253 | |
| 13.00† | 149 | 111 | 10 | 105B05118 | 9311744018260 | |
| Metric – Twin Packs (carded) | | | | | | |
| 1.00 | 33 | 11 | | 105S00394 | 9311744011636 | |
| 1.50 | 39 | 17 | | 105S00591 | 9311744011643 | |
| 2.00 | 48 | 23 | | 105S00787 | 9311744011650 | |
| 2.50 | 56 | 29 | | 105S00984 | 9311744011667 | |
| 3.00 | 60 | 32 | | 105S01181 | 9311744011674 | |

| Diameter inch | Diameter mm | O/A Length | Flute Length | Shank | Item # | Barcode | Price |
|---------------------------------------|-------------|------------|--------------|-----------|---------------|---------------|-------|
| Imperial | | | | | | | |
| 1/16 | 1.59 | 1-7/8 | 7/8 | | 101B00625 | 9311744017041 | |
| 5/64 | 1.98 | 2 | 1 | | 101B00781 | 9311744017058 | |
| 3/32 | 2.38 | 2-1/4 | 1-1/4 | | 101B00938 | 9311744017065 | |
| 7/64 | 2.78 | 2-5/8 | 1-1/2 | | 101B01094 | 9311744017072 | |
| 1/8 | 3.18 | 2-3/4 | 1-5/8 | | 101B01250 | 9311744017089 | |
| 9/64 | 3.57 | 2-7/8 | 1-3/4 | | 101B01406 | 9311744017096 | |
| 5/32 | 3.97 | 3-1/4 | 2-1/8 | | 101B01562 | 9311744017102 | |
| 11/64 | 4.37 | 3-1/4 | 2-1/8 | | 101B01719 | 9311744017119 | |
| 3/16 | 4.76 | 3-1/2 | 2-5/16 | | 101B01875 | 9311744017126 | |
| 13/64 | 5.16 | 3-5/8 | 2-7/16 | | 101B02031 | 9311744017133 | |
| 7/32 | 5.56 | 3-3/4 | 2-1/2 | | 101B02188 | 9311744017140 | |
| 15/64 | 5.95 | 3-7/8 | 2-5/8 | | 101B02344 | 9311744017157 | |
| 1/4 | 6.35 | 4 | 2-3/4 | | 101B02500 | 9311744017164 | |
| 17/64 | 6.75 | 4-1/8 | 2-7/8 | | 101B02656 | 9311744017171 | |
| 9/32 | 7.14 | 4-1/4 | 2-15/16 | | 101B02812 | 9311744017188 | |
| 19/64 | 7.54 | 4-3/8 | 3-1/16 | | 101B02969 | 9311744017195 | |
| 5/16 | 7.94 | 4-1/2 | 3-3/16 | | 101B03125 | 9311744017201 | |
| 21/64 | 8.33 | 4-5/8 | 3-5/16 | | 101B03281 | 9311744017218 | |
| 11/32 | 8.73 | 4-3/4 | 3-7/16 | | 101B03438 | 9311744017225 | |
| 23/64 | 9.13 | 4-7/8 | 3-1/2 | | 101B03594 | 9311744017232 | |
| 3/8 | 9.52 | 5 | 3-5/8 | | 101B03750 | 9311744017249 | |
| 25/64† | 9.92 | 5-1/8 | 3-3/4 | 3/8 | 101B03906 | 9311744017256 | |
| 13/32† | 10.32 | 5-1/4 | 3-7/8 | 3/8 | 101B04062 | 9311744017263 | |
| 27/64† | 10.72 | 5-3/8 | 3-15/16 | 3/8 | 101B04219 | 9311744017270 | |
| 7/16† | 11.11 | 5-1/2 | 4-1/16 | 3/8 | 101B04375 | 9311744017287 | |
| 29/64† | 11.51 | 5-5/8 | 4-3/16 | 3/8 | 101B04531 | 9311744017294 | |
| 15/32† | 11.91 | 5-3/4 | 4-5/16 | 3/8 | 101B04688 | 9311744017300 | |
| 31/64† | 12.30 | 5-7/8 | 4-3/8 | 3/8 | 101B04844 | 9311744017317 | |
| 1/2† | 12.70 | 6 | 4-1/2 | 3/8 | 101B05000 | 9311744017324 | |
| Imperial – Twin Packs (carded) | | | | | | | |
| 1/64 | 3/4 | 3/16 | | 101S00156 | 9311744011681 | | |
| 1/32 | 1-3/8 | 1/2 | | 101S00312 | 9311744011698 | | |
| 3/64 | 1-3/4 | 3/4 | | 101S00469 | 9311744011704 | | |
| 1/16 | 1-7/8 | 7/8 | | 101S00625 | 9311744011513 | | |
| 5/64 | 2 | 1 | | 101S00781 | 9311744011520 | | |
| 3/32 | 2-1/4 | 1-1/4 | | 101S00938 | 9311744011537 | | |
| 7/64 | 2-5/8 | 1-1/2 | | 101S01094 | 9311744011544 | | |
| 1/8 | 2-3/4 | 1-5/8 | | 101S01250 | 9311744011551 | | |

†High Power Bits have 10mm (3/8") reduced shank for sizes > 10mm (3/8"). *Not available once current stock is depleted



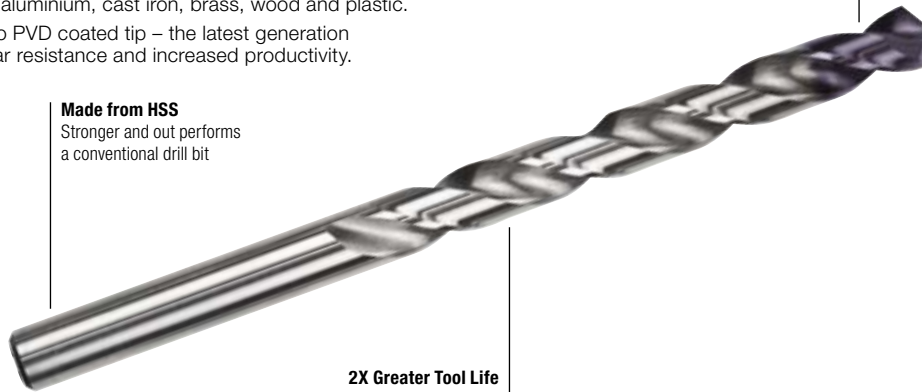
Futura Nano PVD Coated Tip
For ultimate wear resistance

Industrial quality drill bit designed for machine and hand held drilling in stainless steel, steel, aluminium, cast iron, brass, wood and plastic.

Featuring a Futura Nano PVD coated tip – the latest generation coating for ultimate wear resistance and increased productivity.



Made from HSS
Stronger and out performs a conventional drill bit



2X Greater Tool Life
Independently tested for longer life compared to regular drill bit

118° Split Point
Drills >3.5mm & 9/64"
Minimises wandering when starting

Application

- DIY
- Trade
- Automotive
- Electrician
- Plumber
- Carpenter
- General Contractor
- Woodworker
- Metalworker
- Machine Shop
- MRO

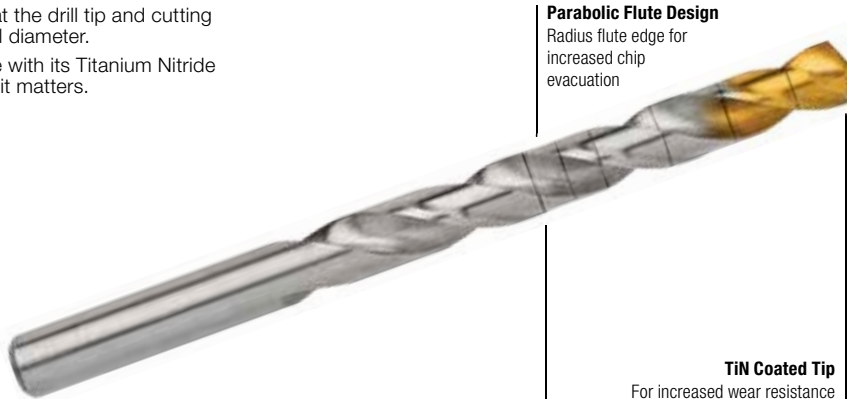
Discount Group: A0410

| Diameter mm | O/A Length | Flute Length | Item # | Barcode | Price |
|---------------|------------|--------------|-----------|---------------|-------|
| Metric | | | | | |
| D184 | | | | | |
| 1.0 | 34 | 12 | D184 0100 | 9311963600444 | |
| 1.5 | 40 | 18 | D184 0150 | 9311963600451 | |
| 2.0 | 49 | 24 | D184 0200 | 9311963600468 | |
| 2.5 | 57 | 30 | D184 0250 | 9311963600475 | |
| 3.0 | 61 | 33 | D184 0300 | 9311963600482 | |
| 3.3 | 65 | 36 | D184 0330 | 9311963601946 | |
| 3.5 | 70 | 39 | D184 0350 | 9311963600499 | |
| 4.0 | 75 | 43 | D184 0400 | 9311963600505 | |
| 4.2 | 75 | 43 | D184 0420 | 9311963601953 | |
| 4.5 | 80 | 47 | D184 0450 | 9311963600512 | |
| 5.0 | 86 | 52 | D184 0500 | 9311963600529 | |
| 5.5 | 93 | 57 | D184 0550 | 9311963600536 | |
| 6.0 | 93 | 57 | D184 0600 | 9311963600543 | |
| 6.5 | 101 | 63 | D184 0650 | 9311963600550 | |
| 6.8 | 109 | 69 | D184 0680 | 9311963601960 | |
| 7.0 | 109 | 69 | D184 0700 | 9311963600567 | |
| 7.5 | 109 | 69 | D184 0750 | 9311963600574 | |
| 8.0 | 117 | 75 | D184 0800 | 9311963600581 | |
| 8.5 | 117 | 75 | D184 0850 | 9311963600598 | |
| 9.0 | 125 | 81 | D184 0900 | 9311963600604 | |
| 9.5 | 125 | 81 | D184 0950 | 9311963600611 | |
| 10.0 | 133 | 87 | D184 1000 | 9311963600628 | |
| 10.2 | 133 | 87 | D184 1020 | 9311963601977 | |
| 10.5 | 133 | 87 | D184 1050 | 9311963600635 | |
| 11.0 | 142 | 94 | D184 1100 | 9311963600642 | |
| 11.5 | 142 | 94 | D184 1150 | 9311963600659 | |
| 12.0 | 151 | 101 | D184 1200 | 9311963600666 | |
| 12.5 | 151 | 101 | D184 1250 | 9311963600673 | |
| 13.0 | 151 | 101 | D184 1300 | 9311963600680 | |



The highest wear is incurred at the drill tip and cutting edges to depths twice the drill diameter.

The P&N Workshop drill range with its Titanium Nitride coated tip is protected where it matters.



Parabolic Flute Design
Radius flute edge for increased chip evacuation

135° Split Point
Enables accurate positioning and less drilling pressure

TiN Coated Tip
For increased wear resistance delivering 3 x longer life

Drill depth indicator

Application

- DIY
- Trade
- Automotive
- Electrician
- Plumber
- Carpenter
- General Contractor
- Woodworker
- Metalworker
- Machine Shop
- MRO

Discount Group: A0410

| Diameter mm | O/A Length | Flute Length | Pack Qty | Item # | Barcode | Price |
|---------------|------------|--------------|----------|-----------|---------------|-------|
| Metric | | | | | | |
| 1.00 | 34 | 12 | 2 | 165320394 | 9311744442492 | |
| 1.50 | 40 | 18 | 2 | 165320591 | 9311744442508 | |
| 2.00 | 49 | 24 | 2 | 165320787 | 9311744442515 | |
| 2.50 | 57 | 30 | 2 | 165320984 | 9311744442522 | |
| 3.00 | 61 | 33 | 2 | 165321181 | 9311744442539 | |
| 1.00* | 34 | 12 | 1 | 165300394 | 9311744441259 | |
| 1.50* | 40 | 18 | 1 | 165300591 | 9311744441266 | |
| 2.00* | 49 | 24 | 1 | 165300787 | 9311744441273 | |
| 2.50* | 57 | 30 | 1 | 165300984 | 9311744441280 | |
| 3.00* | 61 | 33 | 1 | 165301181 | 9311744441297 | |
| 3.50 | 70 | 39 | 1 | 165301378 | 9311744441303 | |
| 4.00 | 75 | 43 | 1 | 165301575 | 9311744441310 | |
| 4.50 | 80 | 47 | 1 | 165301772 | 9311744441327 | |
| 5.00 | 86 | 52 | 1 | 165301968 | 9311744441334 | |
| 5.50 | 93 | 57 | 1 | 165302165 | 9311744441341 | |
| 6.00 | 93 | 57 | 1 | 165302362 | 9311744441358 | |
| 6.50 | 101 | 63 | 1 | 165302559 | 9311744441365 | |
| 7.00 | 109 | 69 | 1 | 165302756 | 9311744441372 | |
| 7.50 | 109 | 69 | 1 | 165302953 | 9311744441389 | |
| 8.00 | 117 | 75 | 1 | 165303150 | 9311744441396 | |
| 8.50 | 117 | 75 | 1 | 165303346 | 9311744441402 | |
| 9.00 | 125 | 81 | 1 | 165303543 | 9311744441419 | |
| 9.50 | 125 | 81 | 1 | 165303740 | 9311744441426 | |
| 10.00 | 133 | 87 | 1 | 165303937 | 9311744441433 | |
| 10.50 | 133 | 87 | 1 | 165304134 | 9311744441440 | |
| 11.00 | 142 | 94 | 1 | 165304331 | 9311744441457 | |
| 11.50 | 142 | 94 | 1 | 165304528 | 9311744441464 | |
| 12.00 | 151 | 101 | 1 | 165304724 | 9311744441471 | |
| 12.50 | 151 | 101 | 1 | 165304921 | 9311744441488 | |
| 13.00 | 151 | 101 | 1 | 165305118 | 9311744441495 | |

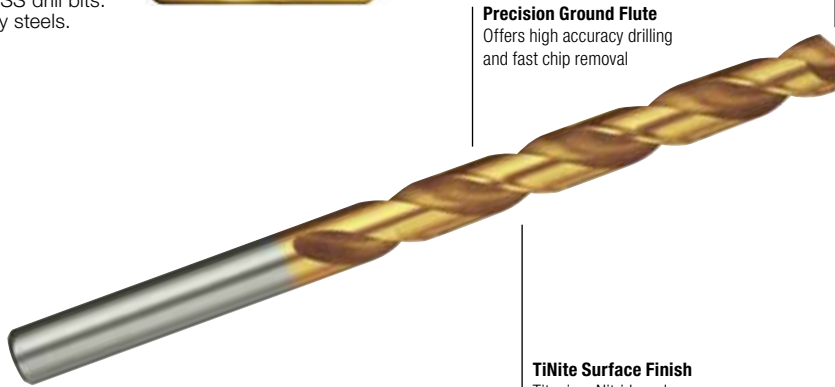
| Diameter inch | Diameter mm | O/A Length | Flute Length | Pack Qty | Item # | Barcode | Price |
|-----------------|-------------|------------|--------------|----------|-----------|---------------|-------|
| Imperial | | | | | | | |
| 1/8 | 3.18 | 70 | 41 | 2 | 165421250 | 9311744442577 | |
| 1/8* | 3.18 | 89 | 59 | 1 | 165401250 | 9311744441549 | |
| 3/16 | 4.76 | 102 | 70 | 1 | 165401875 | 9311744441587 | |
| 1/4 | 6.35 | 114 | 81 | 1 | 165402500 | 9311744441624 | |
| 5/16 | 7.94 | 127 | 92 | 1 | 165403125 | 9311744441662 | |
| 3/8 | 9.52 | 152 | 114 | 1 | 165403750 | 9311744441709 | |
| 1/2 | 12.70 | 6 | 4-1/2 | 1 | 165405000 | 9311744441785 | |
| | | | | | | | |
| | | | | | | | |
| | | | | | | | |
| | | | | | | | |
| | | | | | | | |
| | | | | | | | |
| | | | | | | | |
| | | | | | | | |
| | | | | | | | |
| | | | | | | | |
| | | | | | | | |
| | | | | | | | |



High performance drilling. Lasts up to 6 times longer than standard HSS drill bits. For drilling metal & tougher alloy steels.



118° Web Thinned Point
Drills >3mm & 1/8"
Reduces the amount of thrust required



Precision Ground Flute
Offers high accuracy drilling and fast chip removal

TiNite Surface Finish
Titanium Nitride reduces friction and keeps the cutting edge sharper

Application

- DIY
- Trade
- Automotive
- Electrician
- Plumber
- Carpenter
- General Contractor
- Woodworker
- Metalworker
- Machine Shop
- MRO

Discount Group: A0416

| Diameter mm | O/A Length | Flute Length | Item # | Barcode | Price |
|---------------|------------|--------------|-----------|---------------|-------|
| Metric | | | | | |
| D106 | | | | | |
| 1.00 | 34 | 12 | D106 0100 | 9311963073170 | |
| 1.50 | 40 | 18 | D106 0150 | 9311963073187 | |
| 2.00 | 49 | 24 | D106 0200 | 9311963073194 | |
| 2.50 | 57 | 30 | D106 0250 | 9311963073200 | |
| 3.00 | 61 | 33 | D106 0300 | 9311963073217 | |
| 3.50 | 70 | 39 | D106 0350 | 9311963073224 | |
| 4.00 | 75 | 43 | D106 0400 | 9311963073231 | |
| 4.50 | 80 | 47 | D106 0450 | 9311963073248 | |
| 5.00 | 86 | 52 | D106 0500 | 9311963073255 | |
| 5.50 | 93 | 57 | D106 0550 | 9311963073262 | |
| 6.00 | 93 | 57 | D106 0600 | 9311963073279 | |
| 6.50 | 101 | 63 | D106 0650 | 9311963073286 | |
| 7.00 | 109 | 69 | D106 0700 | 9311963073293 | |
| 7.50 | 109 | 69 | D106 0750 | 9311963073309 | |
| 8.00 | 117 | 75 | D106 0800 | 9311963073316 | |
| 8.50 | 117 | 75 | D106 0850 | 9311963073323 | |
| 9.00 | 125 | 81 | D106 0900 | 9311963073330 | |
| 9.50 | 125 | 81 | D106 0950 | 9311963073347 | |
| 10.00 | 133 | 87 | D106 1000 | 9311963073354 | |
| 10.50 | 133 | 87 | D106 1050 | 9311963073361 | |
| 11.00 | 142 | 94 | D106 1100 | 9311963073378 | |
| 11.50 | 142 | 94 | D106 1150 | 9311963073385 | |
| 12.00 | 151 | 101 | D106 1200 | 9311963073392 | |
| 12.50 | 151 | 101 | D106 1250 | 9311963073408 | |
| 13.00 | 151 | 101 | D106 1300 | 9311963073415 | |

| Diameter inch | Diameter mm | O/A Length | Flute Length | Item # | Barcode | Price |
|-----------------|-------------|------------|--------------|-----------|---------------|-------|
| Imperial | | | | | | |
| D106 | | | | | | |
| 1/16 | 1.59 | 48 | 22 | D106 0159 | 9311963334912 | |
| 5/64 | 1.98 | 51 | 25 | D106 0198 | 9311963334929 | |
| 3/32 | 2.38 | 57 | 32 | D106 0238 | 9311963334936 | |
| 7/64 | 2.78 | 67 | 38 | D106 0278 | 9311963072913 | |
| 1/8 | 3.18 | 70 | 41 | D106 0318 | 9311963072920 | |
| 9/64 | 3.57 | 73 | 44 | D106 0357 | 9311963072937 | |
| 5/32 | 3.97 | 79 | 51 | D106 0397 | 9311963072944 | |
| 11/64 | 4.37 | 83 | 54 | D106 0437 | 9311963072951 | |
| 3/16 | 4.76 | 89 | 59 | D106 0476 | 9311963072968 | |
| 13/64 | 5.16 | 92 | 62 | D106 0516 | 9311963072975 | |
| 7/32 | 5.56 | 95 | 64 | D106 0556 | 9311963072982 | |
| 15/64 | 5.95 | 98 | 67 | D106 0595 | 9311963072999 | |
| 1/4 | 6.35 | 101 | 63 | D106 0635 | 9311963073002 | |
| 17/64 | 6.75 | 105 | 73 | D106 0676 | 9311963073019 | |
| 9/32 | 7.14 | 108 | 75 | D106 0714 | 9311963073026 | |
| 19/64 | 7.54 | 111 | 78 | D106 0754 | 9311963073033 | |
| 5/16 | 7.94 | 114 | 81 | D106 0794 | 9311963073040 | |
| 21/64 | 8.33 | 117 | 84 | D106 0833 | 9311963073057 | |
| 11/32 | 8.73 | 121 | 87 | D106 0873 | 9311963073064 | |
| 23/64 | 9.13 | 124 | 89 | D106 0913 | 9311963073071 | |
| 3/8 | 9.52 | 127 | 92 | D106 0953 | 9311963073088 | |
| 25/64 | 9.92 | 130 | 95 | D106 0992 | 9311963073095 | |
| 13/32 | 10.32 | 133 | 98 | D106 1032 | 9311963073101 | |
| 27/64 | 10.72 | 137 | 100 | D106 1072 | 9311963073118 | |
| 7/16 | 11.11 | 140 | 103 | D106 1111 | 9311963073125 | |
| 29/64 | 11.51 | 143 | 106 | D106 1151 | 9311963073132 | |
| 15/32 | 11.91 | 146 | 110 | D106 1191 | 9311963073149 | |
| 31/64 | 12.30 | 151 | 111 | D106 1231 | 9311963073156 | |
| 1/2 | 12.70 | 152 | 114 | D106 1269 | 9311963073163 | |

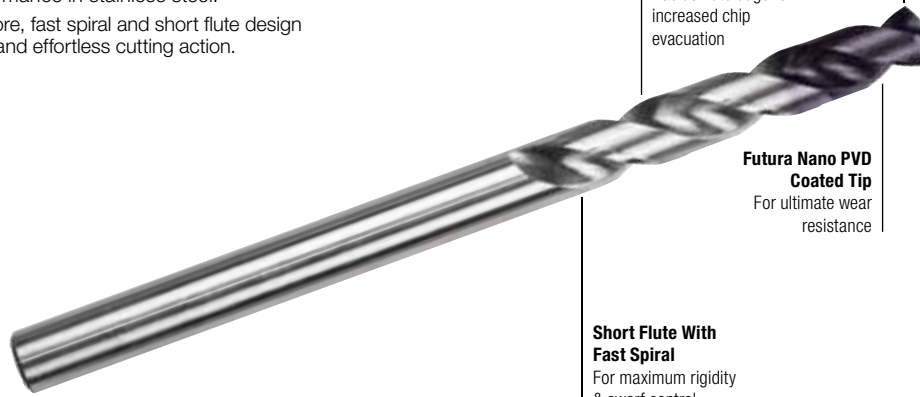
suttontools

Industrial quality drilling solution specially designed for superior performance in stainless steel.

Unique stepped core, fast spiral and short flute design provide a smooth and effortless cutting action.



INOX
STAINLESS STEEL



Short Flute With Fast Spiral
For maximum rigidity & swarf control

Parabolic Flute Design
Radius flute edge for increased chip evacuation

Futura Nano PVD Coated Tip
For ultimate wear resistance

Unique Point And Stepped Core
Designed for superb penetration and minimal work hardening

Application

- DIY
- Trade
- Automotive
- Electrician
- Plumber
- Carpenter
- General Contractor
- Woodworker
- Metalworker
- Machine Shop
- MRO

Discount Group: A0410

| Diameter mm | O/A Length | Flute Length | Item # | Barcode | Price |
|---------------|------------|--------------|-------------|---------------|-------|
| Metric | | | D185 | | |
| 1.0 | 34 | 8 | D185 0100 | 9311963601984 | |
| 1.5 | 40 | 11 | D185 0150 | 9311963601991 | |
| 2.0 | 49 | 14 | D185 0200 | 9311963602004 | |
| 2.5 | 57 | 16 | D185 0250 | 9311963602011 | |
| 3.0 | 61 | 18 | D185 0300 | 9311963602028 | |
| 3.3 | 65 | 20 | D185 0330 | 9311963602035 | |
| 3.5 | 70 | 22 | D185 0350 | 9311963602042 | |
| 4.0 | 75 | 25 | D185 0400 | 9311963602059 | |
| 4.2 | 75 | 25 | D185 0420 | 9311963602066 | |
| 4.5 | 80 | 28 | D185 0450 | 9311963602073 | |
| 5.0 | 86 | 32 | D185 0500 | 9311963602080 | |
| 5.5 | 93 | 36 | D185 0550 | 9311963602097 | |
| 6.0 | 93 | 36 | D185 0600 | 9311963602103 | |
| 6.5 | 101 | 40 | D185 0650 | 9311963602110 | |
| 6.8 | 109 | 45 | D185 0680 | 9311963602127 | |
| 7.0 | 109 | 45 | D185 0700 | 9311963602134 | |
| 7.5 | 109 | 45 | D185 0750 | 9311963602141 | |
| 8.0 | 117 | 51 | D185 0800 | 9311963602158 | |
| 8.5 | 117 | 51 | D185 0850 | 9311963602165 | |
| 9.0 | 125 | 57 | D185 0900 | 9311963602172 | |
| 9.5 | 125 | 57 | D185 0950 | 9311963602189 | |
| 10.0 | 133 | 63 | D185 1000 | 9311963602196 | |
| 10.2 | 133 | 63 | D185 1020 | 9311963602202 | |
| 10.5 | 133 | 63 | D185 1050 | 9311963602219 | |
| 11.0 | 142 | 71 | D185 1100 | 9311963602226 | |
| 11.5 | 142 | 71 | D185 1150 | 9311963602233 | |
| 12.0 | 151 | 78 | D185 1200 | 9311963602240 | |
| 12.5 | 151 | 78 | D185 1250 | 9311963602257 | |
| 13.0 | 151 | 78 | D185 1300 | 9311963602264 | |

suttontools

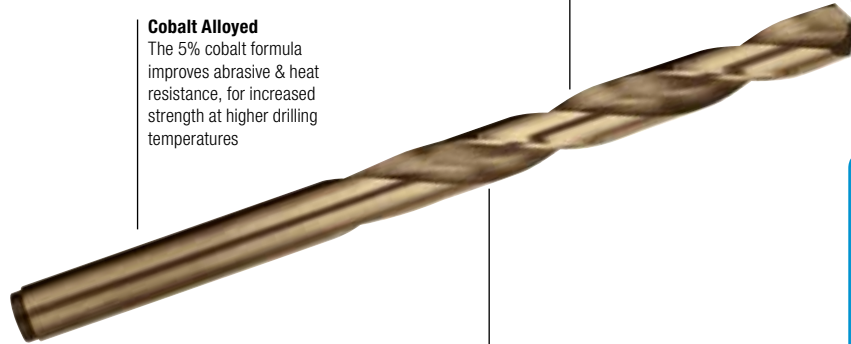
Industrial quality for drilling materials that have high hardness and tensile strength such as cast iron, bronze, hardened steel & stainless steel.



Cobalt Alloyed
The 5% cobalt formula improves abrasive & heat resistance, for increased strength at higher drilling temperatures

Thick Core
For increased rigidity in hard materials

135° Split Point
Drills > 2mm & 3/32
Enables accurate positioning and less drilling pressure



Surface Finish
Colour tempered finish enables identification of cobalt drills

Application

- DIY
- Trade
- Automotive
- Electrician
- Plumber
- Carpenter
- General Contractor
- Woodworker
- Metalworker
- Machine Shop
- MRO

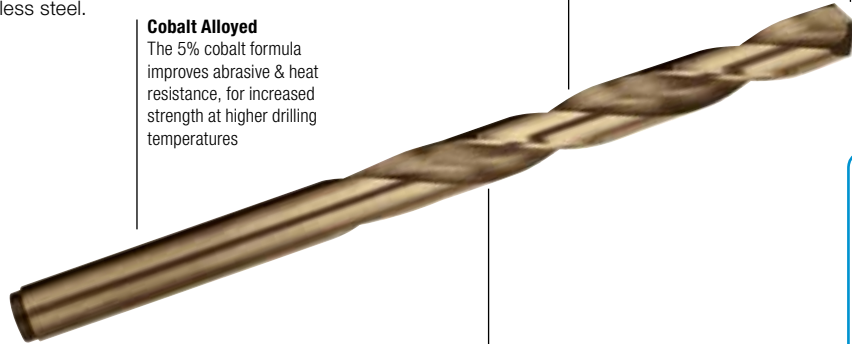
Discount Group: A0404

| Diameter mm | O/A Length | Flute Length | Item # | Barcode | Price |
|---------------|------------|--------------|-----------|---------------|-------|
| Metric | | | | | |
| D108 | | | | | |
| 1.00 | 34 | 12 | D108 0100 | 9311963181059 | |
| 1.50 | 40 | 18 | D108 0150 | 9311963181103 | |
| 2.00 | 49 | 24 | D108 0200 | 9311963100128 | |
| 2.50 | 57 | 30 | D108 0250 | 9311963100180 | |
| 3.00 | 61 | 33 | D108 0300 | 9311963093574 | |
| 3.50 | 70 | 39 | D108 0350 | 9311963093611 | |
| 4.00 | 75 | 43 | D108 0400 | 9311963093642 | |
| 4.50 | 80 | 47 | D108 0450 | 9311963093680 | |
| 5.00 | 86 | 52 | D108 0500 | 9311963093703 | |
| 5.50 | 93 | 57 | D108 0550 | 9311963093734 | |
| 6.00 | 93 | 57 | D108 0600 | 9311963093741 | |
| 6.50 | 101 | 63 | D108 0650 | 9311963093758 | |
| 7.00 | 109 | 69 | D108 0700 | 9311963093796 | |
| 7.50 | 109 | 69 | D108 0750 | 9311963093802 | |
| 8.00 | 117 | 75 | D108 0800 | 9311963093925 | |
| 8.50 | 117 | 75 | D108 0850 | 9311963093963 | |
| 9.00 | 125 | 81 | D108 0900 | 9311963093987 | |
| 9.50 | 125 | 81 | D108 0950 | 9311963094014 | |
| 10.00 | 133 | 87 | D108 1000 | 9311963094038 | |
| 10.50 | 133 | 87 | D108 1050 | 9311963094052 | |
| 11.00 | 142 | 94 | D108 1100 | 9311963094076 | |
| 11.50 | 142 | 94 | D108 1150 | 9311963094083 | |
| 12.00 | 151 | 101 | D108 1200 | 9311963094106 | |
| 12.50 | 151 | 101 | D108 1250 | 9311963094120 | |
| 13.00 | 151 | 101 | D108 1300 | 9311963094151 | |

| Diameter inch | Diameter mm | O/A Length | Flute Length | Item # | Barcode | Price |
|-----------------|-------------|------------|--------------|-----------|---------------|-------|
| Imperial | | | | | | |
| D108 | | | | | | |
| 1/16 | 1.59 | 48 | 22 | D108 0159 | 9311963020068 | |
| 5/64 | 1.98 | 51 | 25 | D108 0198 | 9311963035529 | |
| 3/32 | 2.38 | 57 | 32 | D108 0238 | 9311963026855 | |
| 7/64 | 2.78 | 67 | 38 | D108 0278 | 9311963026862 | |
| 1/8 | 3.18 | 70 | 41 | D108 0318 | 9311963093321 | |
| 9/64 | 3.57 | 73 | 44 | D108 0357 | 9311963093338 | |
| 5/32 | 3.97 | 79 | 51 | D108 0397 | 9311963093345 | |
| 11/64 | 4.37 | 83 | 54 | D108 0437 | 9311963093352 | |
| 3/16 | 4.76 | 89 | 59 | D108 0476 | 9311963093369 | |
| 13/64 | 5.16 | 92 | 62 | D108 0516 | 9311963093376 | |
| 7/32 | 5.56 | 95 | 64 | D108 0556 | 9311963093383 | |
| 15/64 | 5.95 | 98 | 67 | D108 0595 | 9311963093390 | |
| 1/4 | 6.35 | 101 | 63 | D108 0635 | 9311963093406 | |
| 17/64 | 6.75 | 105 | 73 | D108 0676 | 9311963093413 | |
| 9/32 | 7.14 | 108 | 75 | D108 0714 | 9311963093420 | |
| 19/64 | 7.54 | 111 | 78 | D108 0754 | 9311963093437 | |
| 5/16 | 7.94 | 114 | 81 | D108 0794 | 9311963093444 | |
| 21/64 | 8.33 | 117 | 84 | D108 0833 | 9311963093451 | |
| 11/32 | 8.73 | 121 | 87 | D108 0873 | 9311963093468 | |
| 23/64 | 9.13 | 124 | 89 | D108 0913 | 9311963093475 | |
| 3/8 | 9.52 | 127 | 92 | D108 0953 | 9311963093482 | |
| 25/64 | 9.92 | 130 | 95 | D108 0992 | 9311963093499 | |
| 13/32 | 10.32 | 133 | 98 | D108 1032 | 9311963093505 | |
| 27/64 | 10.72 | 137 | 100 | D108 1072 | 9311963093512 | |
| 7/16 | 11.11 | 140 | 103 | D108 1111 | 9311963093529 | |
| 29/64 | 11.51 | 143 | 106 | D108 1151 | 9311963093536 | |
| 15/32 | 11.91 | 146 | 110 | D108 1191 | 9311963093543 | |
| 31/64 | 12.30 | 151 | 111 | D108 1231 | 9311963093550 | |
| 1/2 | 12.70 | 152 | 114 | D108 1269 | 9311963093567 | |



Industrial quality for drilling materials that have high hardness and tensile strength such as cast iron, bronze, hardened steel & stainless steel.



Cobalt Alloyed
The 5% cobalt formula improves abrasive & heat resistance, for increased strength at higher drilling temperatures

Thick Core
For increased rigidity in hard materials

135° Split Point
Drills > 2mm & 3/32
Enables accurate positioning and less drilling pressure

Surface Finish
Colour tempered finish enables identification of cobalt drills

- Application**
- DIY
 - Trade
 - Automotive
 - Electrician
 - Plumber
 - Carpenter
 - General Contractor
 - Woodworker
 - Metalworker
 - Machine Shop
 - MRO

Discount Group: A0404

| Diameter mm | O/A Length | Flute Length | Item # | Barcode | Price |
|---------------|------------|--------------|---------|---------------|-------|
| Metric | | | | | |
| 1.00 | 34 | 12 | 1230611 | 9312621734723 | |
| 1.50 | 40 | 18 | 1230620 | 9312621734730 | |
| 2.00 | 49 | 24 | 1230695 | 9312621734761 | |
| 2.50 | 57 | 30 | 1230745 | 9312621734785 | |
| 3.00 | 61 | 33 | 1230824 | 9312621734808 | |
| 3.50 | 70 | 39 | 1230968 | 9312621734846 | |
| 4.00 | 75 | 43 | 1231124 | 9312621734884 | |
| 4.50 | 80 | 47 | 1231259 | 9312621734914 | |
| 5.00 | 86 | 52 | 1231348 | 9312621734938 | |
| 5.50 | 93 | 57 | 1231455 | 9312621734969 | |
| 6.00 | 93 | 57 | 1231562 | 9312621734990 | |
| 6.50 | 101 | 63 | 1231660 | 9312621735010 | |
| 7.00 | 109 | 69 | 1231848 | 9312621735058 | |
| 7.50 | 109 | 69 | 1231937 | 9312621735072 | |
| 8.00 | 117 | 75 | 1232095 | 9312621735119 | |
| 8.50 | 117 | 75 | 1232184 | 9312621735133 | |
| 9.00 | 125 | 81 | 1232273 | 9312621735157 | |
| 9.50 | 125 | 81 | 1232451 | 9312621735195 | |
| 10.00 | 133 | 87 | 1232586 | 9312621735225 | |
| 10.50 | 133 | 87 | 1232719 | 9312621735256 | |
| 11.00 | 142 | 94 | 1232835 | 9312621735287 | |
| 11.50 | 142 | 94 | 1232924 | 9312621735300 | |
| 12.00 | 151 | 101 | 1233073 | 9312621735331 | |
| 12.50 | 151 | 101 | 1233162 | 9312621735355 | |
| 13.00 | 151 | 101 | 1233251 | 9312621735379 | |

| Diameter inch | O/A Length mm | Flute Length | Item # | Barcode | Price |
|-----------------|---------------|--------------|---------|---------|---------------|
| Imperial | | | | | |
| 1/16 | 1.59 | 1-7/8 | 7/8 | 1230639 | 9312621734747 |
| 5/64 | 1.98 | 2 | 1 | 1230680 | 9312621734754 |
| 3/32 | 2.38 | 2-1/4 | 1-1/4 | 1230725 | 9312621734778 |
| 7/64 | 2.78 | 2-5/8 | 1-1/2 | 1230776 | 9312621734792 |
| 1/8 | 3.18 | 2-3/4 | 1-5/8 | 1230860 | 9312621734815 |
| 9/64 | 3.57 | 2-7/8 | 1-3/4 | 1231017 | 9312621734853 |
| 5/32 | 3.97 | 3-1/4 | 2-1/8 | 1231099 | 9312621734877 |
| 11/64 | 4.37 | 3-1/4 | 2-1/8 | 1231213 | 9312621734907 |
| 3/16 | 4.76 | 3-1/2 | 2-5/16 | 1231302 | 9312621734921 |
| 13/64 | 5.16 | 3-5/8 | 2-7/16 | 1231428 | 9312621734952 |
| 7/32 | 5.56 | 3-3/4 | 2-1/2 | 1231491 | 9312621734976 |
| 15/64 | 5.95 | 3-7/8 | 2-5/8 | 1231526 | 9312621734983 |
| 1/4 | 6.35 | 4 | 2-3/4 | 1231615 | 9312621735003 |
| 17/64 | 6.75 | 4-1/8 | 2-7/8 | 1231704 | 9312621735034 |
| 9/32 | 7.14 | 4-1/4 | 2-15/16 | 1231884 | 9312621735065 |
| 19/64 | 7.54 | 4-3/8 | 3-1/16 | 1231973 | 9312621735089 |
| 5/16 | 7.94 | 4-1/2 | 3-3/16 | 1232059 | 9312621735102 |
| 21/64 | 8.33 | 4-5/8 | 3-5/16 | 1232148 | 9312621735126 |
| 11/32 | 8.73 | 4-3/4 | 3-7/16 | 1232237 | 9312621735140 |
| 23/64 | 9.13 | 4-7/8 | 3-1/2 | 1232326 | 9312621735164 |
| 3/8 | 9.52 | 5 | 3-5/8 | 1232497 | 9312621735201 |
| 25/64 | 9.92 | 5-1/8 | 3-3/4 | 1232531 | 9312621735218 |
| 13/32 | 10.32 | 5-1/4 | 3-7/8 | 1232675 | 9312621735249 |
| 27/64 | 10.72 | 5-3/8 | 3-15/16 | 1232746 | 9312621735263 |
| 7/16 | 11.11 | 5-1/2 | 4-1/16 | 1232871 | 9312621735294 |
| 29/64 | 11.51 | 5-5/8 | 4-3/16 | 1232960 | 9312621735317 |
| 15/32 | 11.91 | 5-3/4 | 4-5/16 | 1233019 | 9312621735324 |
| 31/64 | 12.30 | 5-7/8 | 4-3/8 | 1233117 | 9312621735348 |
| 1/2 | 12.70 | 6 | 4-1/2 | 1233206 | 9312621735362 |

*Not available once current stock is depleted

suttontools

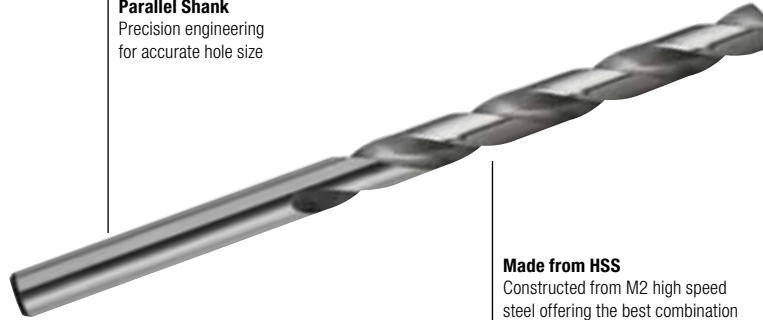


General purpose drill bit designed for machine and hand held drilling in a wide range of ferrous & non-ferrous materials.

118° Standard Point
Common point for general purpose applications



Parallel Shank
Precision engineering for accurate hole size



Made from HSS
Constructed from M2 high speed steel offering the best combination of strength, heat & wear resistance

Application

- DIY
- Trade
- Automotive
- Electrician
- Plumber
- Carpenter
- General Contractor
- Woodworker
- Metalworker
- Machine Shop
- MRO

Discount Group: A0402

| Diameter mm | O/A Length | Flute Length | Pack Qty | Item # | Barcode | Price |
|---------------|------------|--------------|----------|-------------|---------------|-------|
| Metric | | | | D101 | | |
| 0.50 | 22 | 6 | 10 | D101 0050 | 9311963007250 | |
| 1.00 | 34 | 12 | 10 | D101 0100 | 9311963001487 | |
| 1.50 | 40 | 18 | 10 | D101 0150 | 9311963001999 | |
| 2.00 | 49 | 24 | 10 | D101 0200 | 9311963001364 | |
| 2.50 | 57 | 30 | 10 | D101 0250 | 9311963001210 | |
| 3.00 | 61 | 33 | 10 | D101 0300 | 9311963001159 | |
| 3.30 | 65 | 36 | 10 | D101 0330 | 9311963001784 | |
| 3.50 | 70 | 39 | 10 | D101 0350 | 9311963001326 | |
| 4.00 | 75 | 43 | 10 | D101 0400 | 9311963000732 | |
| 4.20 | 75 | 43 | 10 | D101 0420 | 9311963002026 | |
| 4.50 | 80 | 47 | 10 | D101 0450 | 9311963002309 | |
| 5.00 | 86 | 52 | 10 | D101 0500 | 9311963000480 | |
| 5.50 | 93 | 57 | 10 | D101 0550 | 9311963002927 | |
| 6.00 | 93 | 57 | 10 | D101 0600 | 9311963000886 | |
| 6.50 | 101 | 63 | 10 | D101 0650 | 9311963001562 | |
| 6.80 | 109 | 69 | 10 | D101 0680 | 9311963002767 | |
| 7.00 | 109 | 69 | 10 | D101 0700 | 9311963001739 | |
| 7.50 | 109 | 69 | 10 | D101 0750 | 9311963003528 | |
| 8.00 | 117 | 75 | 5 | D101 0800 | 9311963001494 | |
| 8.20 | 117 | 75 | 5 | D101 0820 | 9311963006710 | |
| 8.40 | 117 | 75 | 5 | D101 0840 | 9311963007182 | |
| 8.50 | 117 | 75 | 5 | D101 0850 | 9311963002484 | |
| 9.00 | 125 | 81 | 5 | D101 0900 | 9311963002934 | |
| 9.50 | 125 | 81 | 5 | D101 0950 | 9311963003085 | |
| 10.00 | 133 | 87 | 5 | D101 1000 | 9311963001043 | |
| 10.20 | 133 | 87 | 5 | D101 1020 | 9311963004396 | |
| 10.50 | 133 | 87 | 5 | D101 1050 | 9311963001920 | |
| 10.80 | 142 | 94 | 5 | D101 1080 | 9311963010175 | |
| 11.00 | 142 | 94 | 5 | D101 1100 | 9311963002194 | |
| 11.50 | 142 | 94 | 5 | D101 1150 | 9311963002866 | |
| 12.00 | 151 | 101 | 5 | D101 1200 | 9311963001654 | |
| 12.50 | 151 | 101 | 5 | D101 1250 | 9311963002941 | |
| 13.00 | 151 | 101 | 5 | D101 1300 | 9311963002415 | |

| Diameter mm | O/A Length | Flute Length | Pack Qty | Item # | Barcode | Price |
|---------------------------|------------|--------------|----------|-------------|----------------|-------|
| Metric – Hang Pack | | | | D104 | | |
| 1.50 | 40 | 18 | 10 | D104 0150 | 9311963551869 | |
| 2.00 | 49 | 24 | 10 | D104 0200 | 9311963551565 | |
| 2.50 | 57 | 30 | 10 | D104 0250 | 9311963551876 | |
| 3.00 | 61 | 33 | 10 | D104 0300 | 93119635514572 | |
| 3.50 | 70 | 39 | 10 | D104 0350 | 9311963551883 | |
| 4.00 | 75 | 43 | 10 | D104 0400 | 93119635514596 | |
| 5.00 | 86 | 52 | 5 | D104 0500 | 93119635514862 | |
| 6.00 | 93 | 57 | 5 | D104 0600 | 93119635514879 | |
| 6.50 | 101 | 63 | 5 | D104 0650 | 9311963551890 | |



Merchandiser
Metric Bulk Drill Bits, 405 pce - item # 499999836 (case only)
 20 each: 1.0, 1.5, 2.0, 2.5, 3.0, 3.3, 3.5, 4.0, 4.2, 4.5, 5.0, 5.5, 6.0, 6.5, 6.8mm
 10 each: 7.0, 7.5, 8.0, 10.0mm
 5 each: 8.2, 8.4, 8.5, 9.0, 9.5, 10.2, 10.5, 10.8, 11.0, 11.5, 12.0, 12.5, 13mm

suttontools

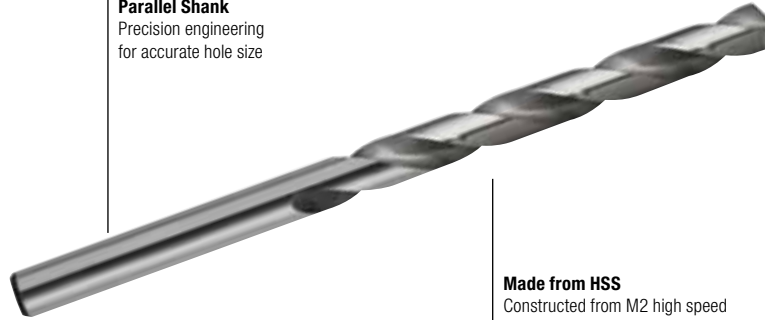


General purpose drill bit designed for machine and hand held drilling in a wide range of ferrous & non-ferrous materials.

118° Standard Point
Common point for general purpose applications



Parallel Shank
Precision engineering for accurate hole size



Made from HSS
Constructed from M2 high speed steel offering the best combination of strength, heat & wear resistance

Application

- DIY
- Trade
- Automotive
- Electrician
- Plumber
- Carpenter
- General Contractor
- Woodworker
- Metalworker
- Machine Shop
- MRO

Discount Group: A0402

| Diameter inch | mm | O/A Length | Flute Length | Pack Qty | Item # | Barcode | Price |
|------------------|-------|---------------|-----------------|-------------|-------------|---------------|-------|
| Imperial | | | | | D101 | | |
| 1/64 | 0.40 | 19 | 5 | 10 | D101 0039 | 9311963005317 | |
| 1/32 | 0.79 | 35 | 13 | 10 | D101 0079 | 9311963002460 | |
| 3/64 | 1.19 | 44 | 19 | 10 | D101 0119 | 9311963002477 | |
| 1/16 | 1.59 | 48 | 22 | 10 | D101 0159 | 9311963000411 | |
| 5/64 | 1.98 | 51 | 25 | 10 | D101 0198 | 9311963000473 | |
| 3/32 | 2.38 | 57 | 32 | 10 | D101 0238 | 9311963000138 | |
| 7/64 | 2.78 | 67 | 38 | 10 | D101 0278 | 9311963000190 | |
| 1/8 | 3.18 | 70 | 41 | 10 | D101 0318 | 9311963000022 | |
| 9/64 | 3.57 | 73 | 44 | 10 | D101 0357 | 9311963000152 | |
| 5/32 | 3.97 | 79 | 51 | 10 | D101 0397 | 9311963000084 | |
| 11/64 | 4.37 | 83 | 54 | 10 | D101 0437 | 9311963000336 | |
| 3/16 | 4.76 | 89 | 59 | 10 | D101 0476 | 9311963000046 | |
| 13/64 | 5.16 | 92 | 62 | 10 | D101 0516 | 9311963000244 | |
| 7/32 | 5.56 | 95 | 64 | 10 | D101 0556 | 9311963000435 | |
| 15/64 | 5.95 | 98 | 67 | 10 | D101 0595 | 9311963000862 | |
| 1/4 | 6.35 | 102 | 70 | 10 | D101 0635 | 9311963000039 | |
| 17/64 | 6.75 | 105 | 73 | 10 | D101 0676 | 9311963000602 | |
| 9/32 | 7.14 | 108 | 75 | 10 | D101 0714 | 9311963000695 | |
| 19/64 | 7.54 | 111 | 78 | 10 | D101 0754 | 9311963002156 | |
| 5/16 | 7.94 | 114 | 81 | 5 | D101 0794 | 9311963000305 | |
| 21/64 | 8.33 | 117 | 84 | 5 | D101 0833 | 9311963001524 | |
| 11/32 | 8.73 | 121 | 87 | 5 | D101 0873 | 9311963000954 | |
| 23/64 | 9.13 | 124 | 89 | 5 | D101 0913 | 9311963001616 | |
| 3/8 | 9.52 | 127 | 92 | 5 | D101 0953 | 9311963000121 | |
| 25/64 | 9.92 | 130 | 95 | 5 | D101 0992 | 9311963001203 | |
| 13/32 | 10.32 | 133 | 98 | 5 | D101 1032 | 9311963000756 | |
| 27/64 | 10.72 | 137 | 100 | 5 | D101 1072 | 9311963001982 | |
| 7/16 | 11.11 | 140 | 103 | 5 | D101 1111 | 9311963000664 | |
| 29/64 | 11.51 | 143 | 106 | 5 | D101 1151 | 9311963002101 | |
| 15/32 | 11.91 | 146 | 110 | 5 | D101 1191 | 9311963001432 | |
| 31/64 | 12.30 | 149 | 111 | 5 | D101 1231 | 9311963001869 | |
| 1/2 | 12.70 | 152 | 114 | 5 | D101 1269 | 9311963000206 | |

| Diameter mm | O/A Length | Flute Length | Pack Qty | Item # | Barcode | Price |
|-----------------------------|---------------|-----------------|-------------|--------|-------------|---------------|
| Imperial – Hang Pack | | | | | D104 | |
| 1/16 | 1.59 | 48 | 22 | 10 | D104 0159 | 9311963339030 |
| 5/64 | 1.98 | 51 | 25 | 10 | D104 0198 | 9311963339047 |
| 3/32 | 2.38 | 57 | 32 | 10 | D104 0238 | 9311963339054 |
| 7/64 | 2.78 | 67 | 38 | 10 | D104 0278 | 9311963339061 |
| 1/8 | 3.18 | 70 | 41 | 10 | D104 0318 | 9311963339078 |
| 9/64 | 3.57 | 73 | 44 | 10 | D104 0357 | 9311963339085 |
| 5/32 | 3.97 | 79 | 51 | 10 | D104 0397 | 9311963339092 |
| 3/16 | 4.76 | 89 | 59 | 5 | D104 0476 | 9311963339115 |
| 1/4 | 6.35 | 101 | 63 | 5 | D104 0635 | 9311963339153 |



Merchandiser
Imperial Bulk Drill Bits, 375 pce - item # 499999836 (case only)
 20 each: 1/16, 5/64, 3/32, 7/64, 1/8, 9/64, 5/32, 11/64, 3/16, 13/64, 7/32, 15/64, 1/4, 17/64
 10 each: 9/32, 19/64, 5/16, 3/8
 5 each: 21/64, 11/32, 23/64, 25/64, 13/32, 27/64, 7/16, 29/64, 15/32, 31/64, 1/2

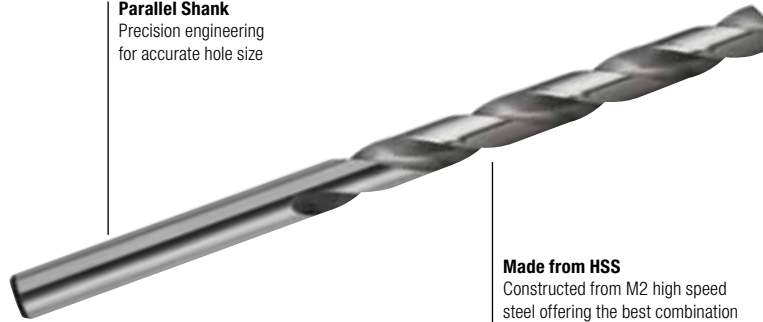


General purpose drill bit designed for machine and hand held drilling in a wide range of ferrous & non-ferrous materials.

118° Standard Point
Common point for general purpose applications



Parallel Shank
Precision engineering for accurate hole size



Made from HSS
Constructed from M2 high speed steel offering the best combination of strength, heat & wear resistance

Application

- DIY
- Trade
- Automotive
- Electrician
- Plumber
- Carpenter
- General Contractor
- Woodworker
- Metalworker
- Machine Shop
- MRO

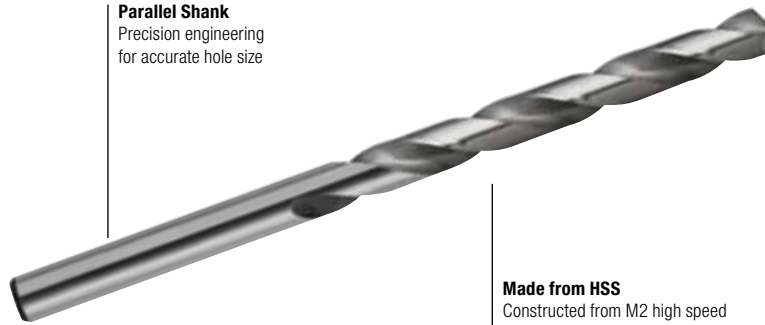
| Diameter mm | O/A Length | Flute Length | Pack Qty | Item # | Barcode | Price |
|---------------|------------|--------------|----------|---------|---------------|-------|
| Metric | | | | | | |
| 1.00 | 34 | 12 | 10 | 1203488 | 9312621720429 | |
| 1.50 | 40 | 18 | 10 | 1204028 | 9312621720610 | |
| 2.00 | 49 | 24 | 10 | 1204591 | 9312621720825 | |
| 2.50 | 57 | 30 | 10 | 1205131 | 9312621721013 | |
| 3.00 | 61 | 33 | 10 | 1205702 | 9312621721228 | |
| 3.50 | 70 | 39 | 10 | 1205971 | 9312621721372 | |
| 4.00 | 75 | 43 | 10 | 1206397 | 9312621172150 | |
| 4.50 | 80 | 47 | 10 | 1206753 | 9312621721761 | |
| 5.00 | 86 | 52 | 10 | 1207142 | 9312621721952 | |
| 5.50 | 93 | 57 | 10 | 1207508 | 9312621722133 | |
| 6.00 | 93 | 57 | 10 | 1207802 | 9312621722294 | |
| 6.50 | 101 | 63 | 10 | 1208102 | 9312621722416 | |
| 7.00 | 109 | 69 | 10 | 1208406 | 9312621722539 | |
| 7.50 | 109 | 69 | 10 | 1208700 | 9312621722652 | |
| 8.00 | 117 | 75 | 10 | 1208942 | 9312621722799 | |
| 8.50 | 117 | 75 | 5 | 1209215 | 9312621722911 | |
| 9.00 | 125 | 81 | 5 | 1209457 | 9312621723031 | |
| 9.50 | 125 | 81 | 5 | 1209699 | 9312621723123 | |
| 10.00 | 133 | 87 | 5 | 1209966 | 9312621723239 | |
| 10.50 | 133 | 87 | 5 | 1210231 | 9312621723321 | |
| 11.00 | 142 | 94 | 5 | 1210419 | 9312621723413 | |
| 11.50 | 142 | 94 | 5 | 1210599 | 9312621172358 | |
| 12.00 | 151 | 101 | 5 | 1210802 | 9312621723611 | |
| 12.50 | 151 | 101 | 5 | 1210982 | 9312621723703 | |
| 13.00 | 151 | 101 | 5 | 1211202 | 9312621724120 | |
| | | | | | | |
| | | | | | | |
| | | | | | | |
| | | | | | | |



General purpose drill bit designed for machine and hand held drilling in a wide range of ferrous & non-ferrous materials.



Parallel Shank
Precision engineering for accurate hole size



Made from HSS
Constructed from M2 high speed steel offering the best combination of strength, heat & wear resistance

118° Standard Point
Common point for general purpose applications

Application

- DIY
- Trade
- Automotive
- Electrician
- Plumber
- Carpenter
- General Contractor
- Woodworker
- Metalworker
- Machine Shop
- MRO

Discount Code: A0402

| Diameter inch | mm | O/A Length | Flute Length | Pack Qty | Item # | Barcode | Price |
|------------------|-------|---------------|-----------------|-------------|---------|---------------|-------|
| Imperial | | | | | | | |
| 1/32 | 0.79 | 1-3/8 | 1/2 | 10 | 1203004 | 9312621720290 | |
| 3/64 | 1.19 | 1-3/4 | 3/4 | 10 | 1203755 | 9312621720511 | |
| 1/16 | 1.59 | 1-7/8 | 7/8 | 10 | 1204117 | 9312621720641 | |
| 5/64 | 1.98 | 2 | 1 | 10 | 1204537 | 9312621720795 | |
| 3/32 | 2.38 | 2-1/4 | 1-1/4 | 10 | 1204984 | 9312621720955 | |
| 7/64 | 2.78 | 2-5/8 | 1-1/2 | 10 | 1205435 | 9312621721129 | |
| 1/8 | 3.18 | 2-3/4 | 1-5/8 | 10 | 1205793 | 9312621721273 | |
| 9/64 | 3.57 | 2-7/8 | 1-3/4 | 10 | 1206039 | 9312621721402 | |
| 5/32 | 3.97 | 3-1/8 | 2 | 10 | 1206333 | 9312621721556 | |
| 11/64 | 4.37 | 3-1/4 | 2-1/8 | 10 | 1206637 | 9312621721709 | |
| 3/16 | 4.76 | 3-1/2 | 2-5/16 | 10 | 1206931 | 9312621721853 | |
| 13/64 | 5.16 | 3-5/8 | 2-7/16 | 10 | 1207268 | 9312621722010 | |
| 7/32 | 5.56 | 3-3/4 | 2-1/2 | 10 | 1207535 | 9312621722157 | |
| 15/64 | 5.95 | 3-7/8 | 2-5/8 | 10 | 1207777 | 9312621722270 | |
| 1/4 | 6.35 | 4 | 2-3/4 | 10 | 1208040 | 9312621722379 | |
| 17/64 | 6.75 | 4-1/8 | 2-7/8 | 10 | 1208255 | 9312621722478 | |
| 9/32 | 7.14 | 4-1/4 | 2-15/16 | 10 | 1208522 | 9312621722577 | |
| 19/64 | 7.54 | 4-3/8 | 3-1/16 | 10 | 1208737 | 9312621722676 | |
| 5/16 | 7.94 | 4-1/2 | 3-3/16 | 10 | 1208915 | 9312621722775 | |
| 21/64 | 8.33 | 4-5/8 | 3-5/16 | 10 | 1209126 | 9312621722874 | |
| 11/32 | 8.73 | 4-3/4 | 3-7/16 | 5 | 1209331 | 9312621722973 | |
| 23/64 | 9.13 | 4-7/8 | 3-1/2 | 5 | 1209546 | 9312621723062 | |
| 3/8 | 9.52 | 5 | 3-5/8 | 5 | 1209724 | 9312621723147 | |
| 25/64 | 9.92 | 5-1/8 | 3-3/4 | 5 | 1209939 | 9312621723215 | |
| 13/32 | 10.32 | 5-1/4 | 3-7/8 | 5 | 1210142 | 9312621723291 | |
| 27/64 | 10.72 | 5-3/8 | 3-15/16 | 5 | 1210320 | 9312621723369 | |
| 7/16 | 11.11 | 5-1/2 | 4-1/16 | 5 | 1210473 | 9312621723444 | |
| 29/64 | 11.51 | 5-5/8 | 4-3/16 | 5 | 1210624 | 9312621723529 | |
| 15/32 | 11.91 | 5-3/4 | 4-5/16 | 5 | 1210777 | 9312621723598 | |
| 31/64 | 12.30 | 5-7/8 | 4-3/8 | 5 | 1210928 | 9312621723673 | |
| 1/2 | 12.70 | 6 | 4-1/2 | 5 | 1211077 | 9312621723734 | |

| Diameter inch | mm | O/A Length | Flute Length | Pack Qty | Item # | Barcode | Price |
|-----------------------------|------|---------------|-----------------|-------------|-----------|---------------|-------|
| Imperial – Hang Pack | | | | | | | |
| 1/16 | 1.59 | 1-7/8 | 7/8 | 10 | 101V00625 | 9311744011018 | |
| 5/64 | 1.98 | 2 | 1 | 10 | 101V00781 | 9311744011025 | |
| 3/32 | 2.38 | 2-1/4 | 1-1/4 | 10 | 101V00938 | 9311744011032 | |
| 7/64 | 2.78 | 2-5/8 | 1-1/2 | 10 | 101V01094 | 9311744011049 | |
| 1/8 | 3.18 | 2-3/4 | 1-5/8 | 10 | 101V01250 | 9311744011056 | |
| 9/64 | 3.57 | 2-7/8 | 1-3/4 | 10 | 101V01406 | 9311744011063 | |
| 5/32 | 3.97 | 3-1/8 | 2 | 10 | 101V01562 | 9311744011070 | |
| 3/16 | 4.76 | 3-1/2 | 2-5/16 | 5 | 101V01875 | 9311744011094 | |
| 1/4 | 6.35 | 4 | 2-3/4 | 5 | 101V02500 | 9311744011131 | |
| | | | | | | | |
| | | | | | | | |
| | | | | | | | |
| | | | | | | | |
| | | | | | | | |
| | | | | | | | |
| | | | | | | | |
| | | | | | | | |
| | | | | | | | |
| | | | | | | | |
| | | | | | | | |
| | | | | | | | |
| | | | | | | | |
| | | | | | | | |
| | | | | | | | |
| | | | | | | | |
| | | | | | | | |

suttontools

SUPABIT
EXTREME IMPACT



Check out the demo

Supabits are developed for use with the high torque output of an impact driver and are suitable for general purpose use in metal, timber and plastics.



1/4" hex shank
Suitable for use in impact drivers



135° Split Point
Enables accurate positioning and less drilling pressure

Parabolic Flute
Provides 3x faster penetration than standard bits



Battery Saving Technology

For 50% more holes per battery charge than standard drill bits

Application

- DIY
- Trade
- Automotive
- Electrician
- Plumber
- Carpenter
- General Contractor
- Woodworker
- Metalworker
- Machine Shop
- MRO

Discount Group: A0424

| Diameter mm | O/A Length | Flute Length | Shank | Pieces | Item # | Barcode | Price |
|---------------------------------|------------|--------------|-------|--------|-----------|---------------|-------|
| D183 | | | | | | | |
| 2.0 | 53 | 18 | 1/4 | 1 | D183 0200 | 9311963599762 | |
| 2.5 | 58 | 22 | 1/4 | 1 | D183 0250 | 9311963599779 | |
| 3.0 | 63 | 26 | 1/4 | 1 | D183 0300 | 9311963599786 | |
| 3.5 | 68 | 28 | 1/4 | 1 | D183 0350 | 9311963599793 | |
| 4.0 | 73 | 30 | 1/4 | 1 | D183 0400 | 9311963599809 | |
| 4.5 | 78 | 33 | 1/4 | 1 | D183 0450 | 9311963599816 | |
| 5.0 | 83 | 36 | 1/4 | 1 | D183 0500 | 9311963599823 | |
| 5.5 | 88 | 40 | 1/4 | 1 | D183 0550 | 9311963599830 | |
| 6.0 | 93 | 47 | 1/4 | 1 | D183 0600 | 9311963599847 | |
| 6.5 | 98 | 50 | 1/4 | 1 | D183 0650 | 9311963599854 | |
| 7.0 | 100 | 62 | 1/4 | 1 | D183 0700 | 9311963599861 | |
| 8.0 | 105 | 65 | 1/4 | 1 | D183 0800 | 9311963599878 | |
| 9.0 | 110 | 68 | 1/4 | 1 | D183 0900 | 9311963599953 | |
| 10.0 | 115 | 71 | 1/4 | 1 | D183 1000 | 9311963599960 | |
| 11.0 | 120 | 74 | 1/4 | 1 | D183 1100 | 9311963599977 | |
| 12.0 | 125 | 77 | 1/4 | 1 | D183 1200 | 9311963599984 | |
| 13.0 | 130 | 80 | 1/4 | 1 | D183 1300 | 9311963599991 | |
| Supabit Impact Set | | | | | | | |
| HSS Impact Set: 2, 3, 4, 5, 6mm | | | | 5 | D183 0005 | 9311963601144 | |

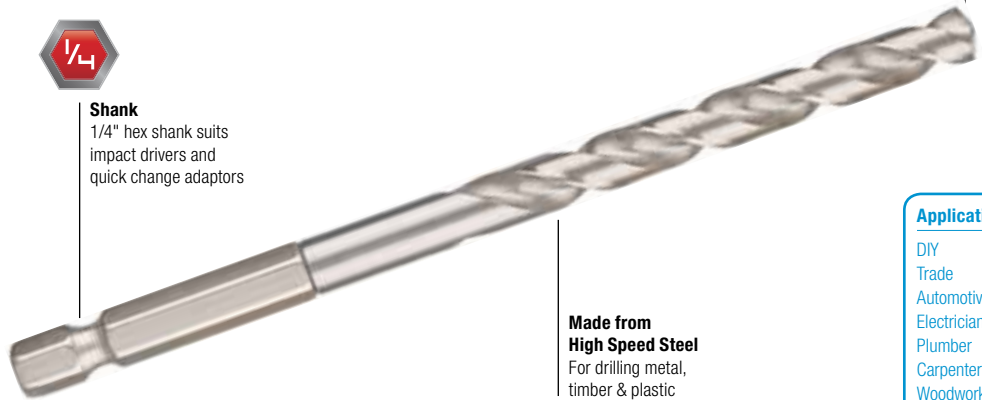


Designed for machine and hand held drilling in a wide range of ferrous & non-ferrous materials.

118° Standard Point
Common point for general purpose applications



Shank
1/4" hex shank suits impact drivers and quick change adaptors



Made from High Speed Steel
For drilling metal, timber & plastic

- Application**
- DIY
 - Trade
 - Automotive
 - Electrician
 - Plumber
 - Carpenter
 - Woodworker
 - Metalworker

Discount Group: A0424

| Size | O/A Length | Flute Length | Shank | Pieces | Item # | Barcode | Price |
|---------------------------------|------------|--------------|-------|--------|-----------|---------------|-------|
| HSS Drill Bits | | | | | | | |
| 2.0 | 5.5 | 2.4 | 1/4 | 1 | 107B80020 | 9311744439898 | |
| 2.5 | 6 | 2.4 | 1/4 | 1 | 107B80025 | 9311744439904 | |
| 3.0 | 6.5 | 2.6 | 1/4 | 1 | 107B80030 | 9311744439911 | |
| 3.2 | 7 | 2.7 | 1/4 | 1 | 107B80032 | 9311744439928 | |
| 3.5 | 7.2 | 3.3 | 1/4 | 1 | 107B80035 | 9311744439935 | |
| 4.0 | 7.7 | 3.7 | 1/4 | 1 | 107B80040 | 9311744439942 | |
| 4.5 | 8 | 3.8 | 1/4 | 1 | 107B80045 | 9311744439959 | |
| 5.0 | 8.6 | 4 | 1/4 | 1 | 107B80050 | 9311744439966 | |
| 5.5 | 8.7 | 4.3 | 1/4 | 1 | 107B80055 | 9311744439973 | |
| 6.0 | 9.2 | 4.2 | 1/4 | 1 | 107B80060 | 9311744439997 | |
| 6.5 | 9.5 | 5 | 1/4 | 1 | 107B80065 | 9311744440009 | |
| 7.0 | 10 | 6 | 1/4 | 1 | 107B80070 | 9311744440016 | |
| 8.0 | 10.5 | 6 | 1/4 | 1 | 107B80080 | 9311744440023 | |
| 9.0 | 11 | 6 | 1/4 | 1 | 107B80090 | 9311744440030 | |
| 10.0 | 11.5 | 6.5 | 1/4 | 1 | 107B80100 | 9311744440047 | |
| 12.0 | 12 | 7 | 1/4 | 1 | 107B80120 | 9311744440054 | |
| HSS Drill Set | | | | | | | |
| HSS Impact Set: 2, 3, 4, 5, 6mm | | | 1/4 | 5 | 107B8SET5 | 9311744441860 | |



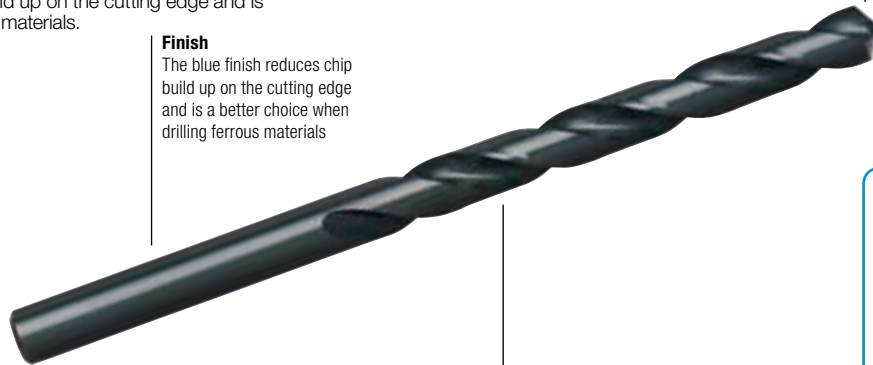
107B8SET5



General purpose drill bit designed for machine and hand held drilling. Steam Oxide finish reduces chip build up on the cutting edge and is a better choice when drilling ferrous materials.



Finish
The blue finish reduces chip build up on the cutting edge and is a better choice when drilling ferrous materials



Made from HSS
Constructed from M2 high speed steel offering the best combination of strength, heat & wear resistance

118° Standard Point
Common point for general purpose applications

Application

- DIY
- Trade
- Automotive
- Electrician
- Plumber
- Carpenter
- General Contractor
- Woodworker
- Metalworker
- Machine Shop
- MRO

Discount Group: A0402

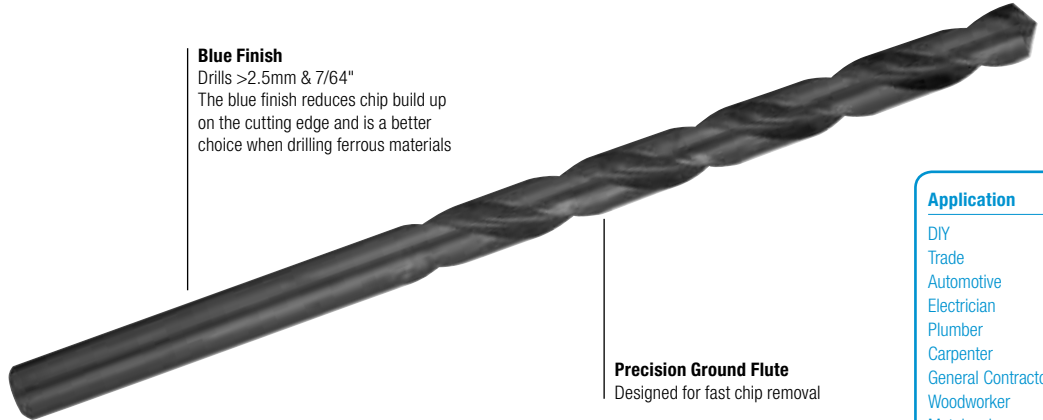
| inch | Diameter mm | O/A Length | Flute Length | Pack Qty | Item # | Barcode | Price |
|-----------------|-------------|------------|--------------|----------|---------|---------------|-------|
| Imperial | | | | | | | |
| 3/32 | 2.38 | 2-3/8 | 1-1/4 | 10 | 1205006 | 9312621720962 | |
| 7/64 | 2.78 | 2-3/4 | 1-1/2 | 10 | 1205453 | 9312621721136 | |
| 1/8 | 3.18 | 2-3/4 | 1-5/8 | 10 | 1205819 | 9312621721280 | |
| 9/64 | 3.57 | 2-7/8 | 1-3/4 | 10 | 1206057 | 9312621721419 | |
| 5/32 | 3.97 | 3-1/8 | 2 | 10 | 1206351 | 9312621721563 | |
| 11/64 | 4.37 | 3-1/4 | 2-1/8 | 10 | 1206655 | 9312621721716 | |
| 3/16 | 4.76 | 3-1/2 | 2-5/16 | 10 | 1206959 | 9312621721860 | |
| 13/64 | 5.16 | 3-5/8 | 2-7/16 | 10 | 1207286 | 9312621722027 | |
| 7/32 | 5.56 | 3-3/4 | 2-1/2 | 10 | 1207553 | 9312621722164 | |
| 15/64 | 5.95 | 3-7/8 | 2-5/8 | 10 | 1207795 | 9312621722287 | |
| 1/4 | 6.35 | 4 | 2-3/4 | 10 | 1208068 | 9312621722386 | |
| 17/64 | 6.75 | 4-1/8 | 2-7/8 | 10 | 1208273 | 9312621722485 | |
| 9/32 | 7.14 | 4-1/4 | 2-15/16 | 10 | 1208540 | 9312621722584 | |
| 19/64 | 7.54 | 4-3/8 | 3-1/16 | 10 | 1208755 | 9312621722683 | |
| 5/16 | 7.94 | 4-1/2 | 3-3/16 | 10 | 1208933 | 9312621722782 | |
| 21/64 | 8.33 | 4-5/8 | 3-5/16 | 10 | 1209144 | 9312621722881 | |
| 11/32 | 8.73 | 4-3/4 | 3-7/16 | 5 | 1209359 | 9312621722980 | |
| 23/64 | 9.13 | 4-7/8 | 3-1/2 | 5 | 1209564 | 9312621723079 | |
| 3/8 | 9.52 | 5 | 3-5/8 | 5 | 1209742 | 9312621723154 | |
| 25/64 | 9.92 | 5-1/8 | 3-3/4 | 5 | 1209957 | 9312621723222 | |
| 13/32 | 10.32 | 5-1/4 | 3-7/8 | 5 | 1210160 | 9312621723307 | |
| 27/64 | 10.72 | 5-3/8 | 3-15/16 | 5 | 1210348 | 9312621723376 | |
| 7/16 | 11.11 | 5-1/2 | 4-1/16 | 5 | 1210491 | 9312621723451 | |
| 29/64 | 11.51 | 5-5/8 | 4-3/16 | 5 | 1210642 | 9312621723536 | |
| 15/32 | 11.91 | 5-3/4 | 4-5/16 | 5 | 1210795 | 9312621723604 | |
| 31/64 | 12.30 | 5-7/8 | 4-3/8 | 5 | 1210946 | 9312621723680 | |
| 1/2 | 12.70 | 6 | 4-1/2 | 5 | 1211095 | 9312621723741 | |

Offers longer flute & overall length than standard drill bits. Ideal for drilling deeper holes.

118° Standard Point
Common point for general purpose applications



Blue Finish
Drills >2.5mm & 7/64"
The blue finish reduces chip build up on the cutting edge and is a better choice when drilling ferrous materials



Precision Ground Flute
Designed for fast chip removal

- Application**
- DIY
 - Trade
 - Automotive
 - Electrician
 - Plumber
 - Carpenter
 - General Contractor
 - Woodworker
 - Metalworker
 - Machine Shop
 - MRO

Discount Code: A0502

| Diameter mm | O/A Length | Flute Length | Item # | Barcode | Price |
|---------------|------------|--------------|-------------|---------------|-------|
| Metric | | | D110 | | |
| 2.00* | 108 | 57 | D110 0200 | 9311963066998 | |
| 2.50* | 117 | 64 | D110 0250 | 9311963067001 | |
| 3.00 | 130 | 70 | D110 0300 | 9311963017211 | |
| 3.30 | 137 | 76 | D110 0330 | 9311963019819 | |
| 3.50 | 137 | 76 | D110 0350 | 9311963016016 | |
| 4.00 | 146 | 86 | D110 0400 | 9311963022918 | |
| 4.50 | 146 | 86 | D110 0450 | 9311963016023 | |
| 5.00 | 152 | 92 | D110 0500 | 9311963018539 | |
| 5.50 | 152 | 92 | D110 0550 | 9311963017228 | |
| 6.00 | 156 | 95 | D110 0600 | 9311963016030 | |
| 6.50 | 159 | 98 | D110 0650 | 9311963017235 | |
| 7.00 | 159 | 98 | D110 0700 | 9311963022925 | |
| 7.50 | 162 | 102 | D110 0750 | 9311963026633 | |
| 8.00 | 165 | 105 | D110 0800 | 9311963017242 | |
| 8.50 | 165 | 105 | D110 0850 | 9311963024592 | |
| 9.00 | 171 | 105 | D110 0900 | 9311963028804 | |
| 9.50 | 171 | 105 | D110 0950 | 9311963034966 | |
| 10.00 | 178 | 111 | D110 1000 | 9311963011103 | |
| 10.50 | 184 | 117 | D110 1050 | 9311963016047 | |
| 11.00 | 184 | 117 | D110 1100 | 9311963018546 | |
| 11.50 | 184 | 117 | D110 1150 | 9311963188898 | |
| 12.00 | 197 | 121 | D110 1200 | 9311963026657 | |
| 12.50 | 197 | 121 | D110 1250 | 9311963039367 | |
| 13.00 | 197 | 121 | D110 1300 | 9311963028811 | |

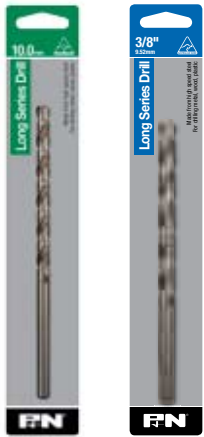
| Diameter inch | Diameter mm | O/A Length | Flute Length | Item # | Barcode | Price |
|-----------------|-------------|------------|--------------|-----------|---------------|-------|
| Imperial | | | D110 | | | |
| 1/16* | 1.59 | 76 | 44 | D110 0159 | 9311963010625 | |
| 5/64* | 1.98 | 95 | 51 | D110 0198 | 9311963016009 | |
| 3/32* | 2.38 | 117 | 57 | D110 0238 | 9311963010632 | |
| 7/64* | 2.78 | 130 | 64 | D110 0278 | 9311963015156 | |
| 1/8 | 3.18 | 137 | 70 | D110 0318 | 9311963001814 | |
| 9/64 | 3.57 | 137 | 76 | D110 0357 | 9311963009391 | |
| 5/32 | 3.97 | 137 | 76 | D110 0397 | 9311963001340 | |
| 11/64 | 4.37 | 146 | 86 | D110 0437 | 9311963011073 | |
| 3/16 | 4.76 | 152 | 92 | D110 0476 | 9311963001531 | |
| 13/64 | 5.16 | 152 | 92 | D110 0516 | 9311963008486 | |
| 7/32 | 5.56 | 152 | 92 | D110 0556 | 9311963006475 | |
| 15/64 | 5.95 | 156 | 95 | D110 0595 | 9311963018515 | |
| 1/4 | 6.35 | 156 | 95 | D110 0635 | 9311963000978 | |
| 17/64 | 6.75 | 159 | 98 | D110 0676 | 9311963019802 | |
| 9/32 | 7.14 | 159 | 98 | D110 0714 | 9311963021294 | |
| 19/64 | 7.54 | 162 | 102 | D110 0754 | 9311963022895 | |
| 5/16 | 7.94 | 162 | 102 | D110 0794 | 9311963002361 | |
| 21/64 | 8.33 | 165 | 105 | D110 0833 | 9311963026596 | |
| 11/32 | 8.73 | 165 | 105 | D110 0873 | 9311963026602 | |
| 23/64 | 9.13 | 171 | 108 | D110 0913 | 9311963021300 | |
| 3/8 | 9.52 | 171 | 108 | D110 0953 | 9311963003894 | |
| 25/64 | 9.92 | 178 | 111 | D110 0992 | 9311963026619 | |
| 13/32 | 10.32 | 178 | 111 | D110 1032 | 9311963011080 | |
| 27/64 | 10.72 | 184 | 117 | D110 1072 | 9311963024585 | |
| 7/16 | 11.11 | 184 | 117 | D110 1111 | 9311963012216 | |
| 29/64 | 11.51 | 184 | 117 | D110 1151 | 9311963022901 | |
| 15/32 | 11.91 | 184 | 117 | D110 1191 | 9311963034959 | |
| 31/64 | 12.30 | 197 | 121 | D110 1231 | 9311963018522 | |
| 1/2 | 12.70 | 197 | 121 | D110 1269 | 9311963006277 | |

*Bright Finish < 3mm. Note: Bulk packs available on request, subject to lead times.

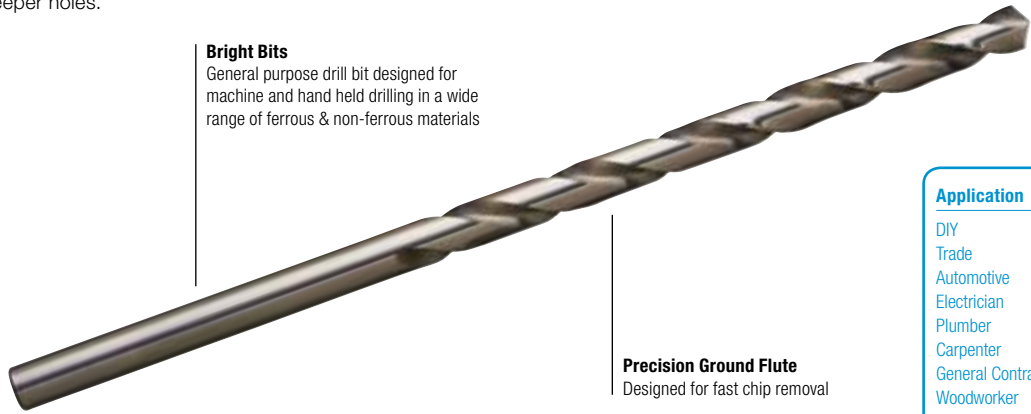


118° Standard Point
Common point for general purpose applications

Offers longer flute & overall length than standard drill bits. Ideal for drilling deeper holes.



Bright Bits
General purpose drill bit designed for machine and hand held drilling in a wide range of ferrous & non-ferrous materials



Precision Ground Flute
Designed for fast chip removal

Application

- DIY
- Trade
- Automotive
- Electrician
- Plumber
- Carpenter
- General Contractor
- Woodworker
- Metalworker
- Machine Shop
- MRO

Discount Code: A0502

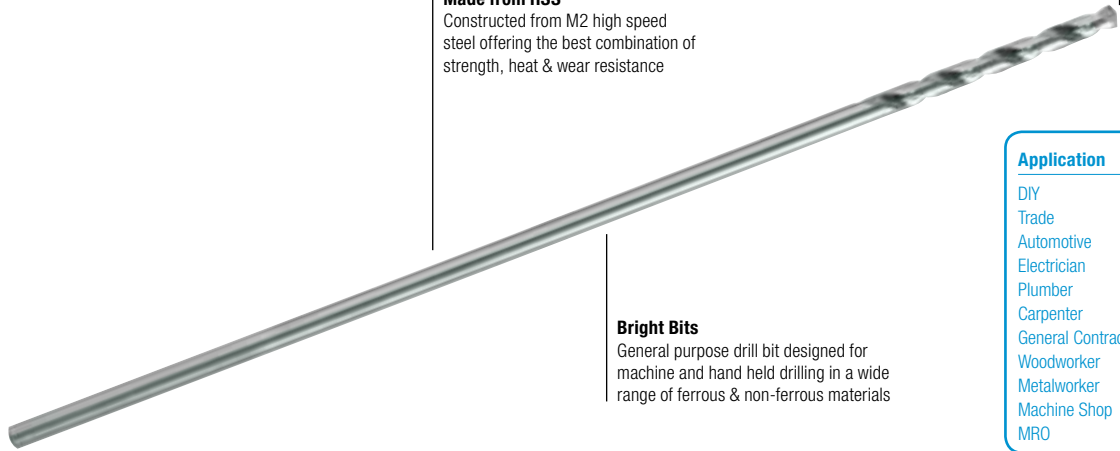
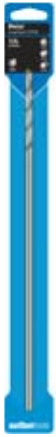
| Diameter mm | O/A Length | Flute Length | Item # | Barcode | Price |
|---------------|------------|--------------|---------|---------------|-------|
| Metric | | | | | |
| 2.0 | 108 | 58 | 1523500 | 9312621741059 | |
| 2.5 | 117 | 64 | 1523519 | 9312621741066 | |
| 3.0 | 130 | 70 | 1523528 | 9312621741073 | |
| 3.5 | 137 | 76 | 1523546 | 9312621741097 | |
| 4.0 | 146 | 86 | 1523555 | 9312621741103 | |
| 4.5 | 146 | 86 | 1523564 | 9312621741110 | |
| 5.0 | 152 | 92 | 1523573 | 9312621741127 | |
| 5.5 | 152 | 92 | 1523591 | 9312621741141 | |
| 6.0 | 156 | 95 | 1523608 | 9312621741158 | |
| 6.5 | 159 | 98 | 1523617 | 9312621741165 | |
| 7.0 | 159 | 98 | 1523626 | 9312621741172 | |
| 7.5 | 162 | 102 | 1523635 | 9312621741189 | |
| 8.0 | 165 | 105 | 1523653 | 9312621741202 | |
| 8.5 | 165 | 105 | 1523662 | 9312621741219 | |
| 9.0 | 171 | 108 | 1523680 | 9312621741233 | |
| 9.5 | 171 | 108 | 1523706 | 9312621741257 | |
| 10.0 | 178 | 111 | 1523715 | 9312621174123 | |
| 10.5 | 184 | 117 | 1523733 | 9312621741288 | |
| 11.0 | 184 | 117 | 1523742 | 9312621741295 | |
| 11.5 | 184 | 117 | 1523745 | 9312621740342 | |
| 12.0 | 197 | 121 | 1523751 | 9312621741301 | |
| 12.5 | 197 | 121 | 1523759 | 9312621740380 | |
| 13.0 | 203 | 121 | 1523768 | 9312621740410 | |

| Diameter inch | Diameter mm | O/A Length | Flute Length | Item # | Barcode | Price |
|-----------------|-------------|------------|--------------|-----------|---------------|-------|
| Imperial | | | | | | |
| 1/16 | 1.59 | 3 | 1-3/4 | 160A00625 | 9311744050024 | |
| 5/64 | 1.98 | 3-3/4 | 2 | 160A00781 | 9311744050031 | |
| 3/32 | 2.38 | 4-1/4 | 2-1/4 | 160A00938 | 9311744050048 | |
| 7/64 | 2.78 | 4-5/8 | 2-1/2 | 160A01094 | 9311744050055 | |
| 1/8 | 3.18 | 5-1/8 | 2-3/4 | 160A01250 | 9311744050062 | |
| 9/64 | 3.57 | 5-3/8 | 3 | 160A01406 | 9311744050079 | |
| 5/32 | 3.97 | 5-3/8 | 3 | 160A01562 | 9311744050086 | |
| 11/64 | 4.37 | 5-3/4 | 3-3/8 | 160A01719 | 9311744051090 | |
| 3/16 | 4.76 | 5-3/4 | 3-3/8 | 160A01875 | 9311744050093 | |
| 13/64 | 5.16 | 6 | 3-5/8 | 160A02031 | 9311744051113 | |
| 7/32 | 5.56 | 6 | 3-5/8 | 160A02188 | 9311744050109 | |
| 15/64 | 5.95 | 6-1/8 | 3-3/4 | 160A02344 | 9311744051137 | |
| 1/4 | 6.35 | 6-1/8 | 3-3/4 | 160A02500 | 9311744050116 | |
| 9/32 | 7.14 | 6-1/4 | 3-7/8 | 160A02812 | 9311744051168 | |
| 5/16 | 7.94 | 6-3/8 | 4 | 160A03125 | 9311744050123 | |
| 11/32 | 8.73 | 6-1/2 | 4-1/8 | 160A03438 | 9311744051205 | |
| 3/8 | 9.52 | 6-3/4 | 4-1/4 | 160A03750 | 9311744050130 | |
| 13/32 | 10.32 | 7 | 4-3/8 | 160A04062 | 9311744051243 | |
| 7/16 | 11.11 | 7-1/4 | 4-5/8 | 160A04375 | 9311744050147 | |
| 15/32 | 11.91 | 7-1/2 | 4-3/4 | 160A04688 | 9311744051281 | |
| 1/2 | 12.70 | 7-3/4 | 4-3/4 | 160A05000 | 9311744050154 | |

Drills Long Series – Extra Long Reach

suttontools

300mm overall length for drilling deep holes in long reach applications.



118° Standard Point
Common point for general purpose applications

Made from HSS
Constructed from M2 high speed steel offering the best combination of strength, heat & wear resistance

Bright Bits
General purpose drill bit designed for machine and hand held drilling in a wide range of ferrous & non-ferrous materials

- Application**
- DIY
 - Trade
 - Automotive
 - Electrician
 - Plumber
 - Carpenter
 - General Contractor
 - Woodworker
 - Metalworker
 - Machine Shop
 - MRO

Discount Code: A0502

| Imperial | | | | Item # | Barcode | Price |
|-------------|-------------|------------|--------------|-----------|---------------|-------|
| inch | Diameter mm | O/A Length | Flute Length | | | |
| 1/8 | 3.18 | 300 | 35 | D187 0318 | 9311963021461 | |
| 3/16 | 4.76 | 300 | 57 | D187 0476 | 9311963022116 | |
| 1/4 | 6.35 | 300 | 72 | D187 0635 | 9311963022765 | |
| 5/16 | 7.94 | 300 | 86 | D187 0794 | 9311963023014 | |
| 3/8 | 9.52 | 300 | 95 | D187 0953 | 9311963023021 | |
| 7/16 | 11.11 | 300 | 106 | D187 1111 | 9311963023038 | |
| 1/2 | 12.70 | 300 | 117 | D187 1269 | 9311963023687 | |

Note: Bulk packs available on request, subject to lead times.

Drills Mini Hand Drill

For hand drilling soft metals, wood and plastic. Designed for metal working, electronics, jewellery, model engineering and general hobby work. Drill bits made from high speed steel.



Hollow Alloy Body
Stores drills when not in use

Brass Chuck
For durability and long-life

Knurled End
For drilling control

- Application**
- DIY
 - Trade
 - Automotive
 - Electronics
 - Woodworker
 - Metalworker

Discount Group: A1202

| Description | Item # | Barcode | Price |
|---|-----------|---------------|-------|
| 12pce Tip Tool Drill Kit Includes Drill sizes 0.60, 0.65, 0.70, 0.75, 0.85, 0.90, 0.95, 1.00, 1.06, 1.16, 1.40, 1.60mm For hand drilling soft material, wood and plastic | D201 0012 | 9311963177090 | |

suttontools

Designed to increase the drilling capacity of drill chucks and for slow speed (350 RPM or less), large scale boring.

Discount Code: A1202

| Set | Contents | Case | Pieces | Item # | Barcode | Price |
|-----------------|--|---------|--------|-----------|---------------|-------|
| Metric | | | | | | |
| RS4M | 16.0, 18.0, 22.0, 25.0mm with 12.5mm shanks | Foam | 4 | D188 RS4M | 9311963333472 | |
| SM8R | 14.0, 15.0, 16.0, 16.5, 18.0, 20.0, 22.0, 25.0mm with 12.5mm shanks | Plastic | 8 | D188 SM8R | 9311963191522 | |
| Imperial | | | | | | |
| RS4 | 5/8, 3/4, 7/8, 1 with 1/2" shanks | Foam | 4 | D188 RS4 | 9311963333458 | |
| S8R | 9/16, 5/8, 11/16, 3/4, 13/16, 7/8, 15/16, 1 with 1/2" shanks | Plastic | 8 | D188 S8R | 9311963191515 | |
| RS16 | 17/32, 9/16, 19/32, 5/8, 21/32, 11/16, 23/32, 3/4, 25/32, 13/16, 27/32, 7/8, 29/32, 15/16, 31/32, 1 with 1/2" shanks | Plastic | 16 | D188 RS16 | 9311963401188 | |



D188 RS4M



D188 RS4



D188 SM8R
1620500



D188 S8R
1620480



D188 RS16
1620490



Discount Code: A0906

| Set | Contents | Case | Pieces | Item # | Barcode | Price |
|-----------------|---|---------|--------|---------|---------------|-------|
| Metric | | | | | | |
| M8 | 14.0, 15.0, 16.0, 16.5, 18.0, 20.0, 22.0, 25.0mm with 1/2" reduced shank | Plastic | 8 | 1620500 | 9312621736208 | |
| Imperial | | | | | | |
| #8 | 9/16, 5/8, 11/16, 3/4, 13/16, 7/8, 15/16 & 1" with 1/2" reduced shank | Plastic | 8 | 1620480 | 9312621736314 | |
| #16 | 17/32, 9/16, 19/32, 5/8, 21/32, 11/16, 23/32, 3/4, 25/32, 13/16, 27/32, 7/8, 29/32, 15/16, 31/32 & 1" with 1/2" reduced shank | Plastic | 16 | 1620490 | 9312621736321 | |

suttontools

Designed to increase the drilling capacity of drill chucks and for slow speed (350 RPM or less), large scale boring.



Reduced Shank
Drill sizes above 12.5mm & 1/2" feature reduced shanks to suit 13mm drill chucks

Precision Ground Flute
Bright cutting edge with blue flute making it a better choice when drilling ferrous materials.

Size
152mm (6") overall length with a 86mm (3-3/8") flute length

Application
DIY
Trade
Industrial Application
Automotive
Metalworker
Machine Shop
MRO

Discount Code: A0906

| Diameter mm | O/A Length | Flute Length | Shank | Item # | Barcode | Price |
|--------------------------|------------|--------------|-----------|-------------|---------------|-------|
| Metric | | | | D138 | | |
| 13.5 | 152 | 86 | 12.5 | D188 1350 | 9311963011646 | |
| 14.0 | 152 | 86 | 12.5 | D188 1400 | 9311963005300 | |
| 14.5 | 152 | 86 | 12.5 | D188 1450 | 9311963008752 | |
| 15.0 | 152 | 86 | 12.5 | D188 1500 | 9311963007793 | |
| 15.5 | 152 | 86 | 12.5 | D188 1550 | 9311963011141 | |
| 16.0 | 152 | 86 | 12.5 | D188 1600 | 9311963004990 | |
| 16.5 | 152 | 86 | 12.5 | D188 1650 | 9311963007809 | |
| 17.0 | 152 | 86 | 12.5 | D188 1700 | 9311963008769 | |
| 17.5 | 152 | 86 | 12.5 | D188 1750 | 9311963009872 | |
| 18.0 | 152 | 86 | 12.5 | D188 1800 | 9311963008776 | |
| 18.5 | 152 | 86 | 12.5 | D188 1850 | 9311963019925 | |
| 19.0 | 152 | 86 | 12.5 | D188 1900 | 9311963008097 | |
| 19.5 | 152 | 86 | 12.5 | D188 1950 | 9311963017358 | |
| 20.0 | 152 | 86 | 12.5 | D188 2000 | 9311963004624 | |
| 20.5 | 152 | 86 | 12.5 | D188 2050 | 9311963028965 | |
| 21.0 | 152 | 86 | 12.5 | D188 2100 | 9311963011653 | |
| 21.5 | 152 | 86 | 12.5 | D188 2150 | 9311963031736 | |
| 22.0 | 152 | 86 | 12.5 | D188 2200 | 9311963007489 | |
| 22.5 | 152 | 86 | 12.5 | D188 2250 | 9311963028972 | |
| 23.0 | 152 | 86 | 12.5 | D188 2300 | 9311963013510 | |
| 23.5 | 152 | 86 | 12.5 | D188 2350 | 9311963035154 | |
| 24.0 | 152 | 86 | 12.5 | D188 2400 | 9311963011660 | |
| 24.5 | 152 | 86 | 12.5 | D188 2450 | 9311963024677 | |
| 25.0 | 152 | 86 | 12.5 | D188 2500 | 9311963012315 | |
| 26.0 | 152 | 86 | 12.5 | D188 2600 | 9311963087566 | |
| 28.0 | 152 | 86 | 12.5 | D188 2800 | 9311963087573 | |
| 30.0 | 152 | 86 | 12.5 | D188 3000 | 9311963087580 | |
| 3/8 Reduced Shank | | | | D120 | | |
| 9/16 | 14.29 | 6 | 3-3/8 3/8 | D120 1429 | 9311963001371 | |
| 5/8 | 15.87 | 6 | 3-3/8 3/8 | D120 1588 | 9311963000565 | |
| 3/4 | 19.05 | 6 | 3-3/8 3/8 | D120 1905 | 9311963002439 | |

| Diameter inch | O/A Length mm | Flute Length | Shank | Item # | Barcode | Price |
|-----------------|---------------|--------------|--------|-------------|---------------|-------|
| Imperial | | | | D138 | | |
| 33/64 | 13.10 | 152 | 86 1/2 | D188 1310 | 9311963352565 | |
| 17/32 | 13.49 | 152 | 86 1/2 | D188 1349 | 9311963001937 | |
| 35/64 | 13.89 | 152 | 86 1/2 | D188 1389 | 9311963352572 | |
| 9/16 | 14.29 | 152 | 86 1/2 | D188 1429 | 9311963000893 | |
| 37/64 | 14.68 | 152 | 86 1/2 | D188 1468 | 9311963352589 | |
| 19/32 | 15.08 | 152 | 86 1/2 | D188 1508 | 9311963003436 | |
| 39/64 | 15.48 | 152 | 86 1/2 | D188 1548 | 9311963352596 | |
| 5/8 | 15.87 | 152 | 86 1/2 | D188 1588 | 9311963000237 | |
| 41/64 | 16.27 | 152 | 86 1/2 | D188 1627 | 9311963352602 | |
| 21/32 | 16.67 | 152 | 86 1/2 | D188 1667 | 9311963001692 | |
| 43/64 | 17.06 | 152 | 86 1/2 | D188 1707 | 9311963352619 | |
| 11/16 | 17.46 | 152 | 86 1/2 | D188 1746 | 9311963001081 | |
| 45/64 | 17.86 | 152 | 86 1/2 | D188 1786 | 9311963352626 | |
| 23/32 | 18.26 | 152 | 86 1/2 | D188 1826 | 9311963004617 | |
| 47/64 | 18.65 | 152 | 86 1/2 | D188 1865 | 9311963352633 | |
| 3/4 | 19.05 | 152 | 86 1/2 | D188 1905 | 9311963000855 | |
| 49/64 | 19.45 | 152 | 86 1/2 | D188 1945 | 9311963352640 | |
| 25/32 | 19.84 | 152 | 86 1/2 | D188 1984 | 9311963004167 | |
| 51/64 | 20.24 | 152 | 86 1/2 | D188 2024 | 9311963352657 | |
| 13/16 | 20.64 | 152 | 86 1/2 | D188 2064 | 9311963003535 | |
| 27/32 | 21.43 | 152 | 86 1/2 | D188 2143 | 9311963010250 | |
| 55/64 | 21.83 | 152 | 86 1/2 | D188 2183 | 9311963352671 | |
| 7/8 | 22.22 | 152 | 86 1/2 | D188 2223 | 9311963001234 | |
| 57/64 | 22.62 | 152 | 86 1/2 | D188 2262 | 9311963352688 | |
| 29/32 | 23.02 | 152 | 86 1/2 | D188 2302 | 9311963008745 | |
| 59/64 | 23.41 | 152 | 86 1/2 | D188 2342 | 9311963352695 | |
| 15/16 | 23.81 | 152 | 86 1/2 | D188 2381 | 9311963004853 | |
| 61/64 | 24.21 | 152 | 86 1/2 | D188 2421 | 9311963352701 | |
| 31/32 | 24.61 | 152 | 86 1/2 | D188 2461 | 9311963010656 | |
| 1 | 25.40 | 152 | 86 1/2 | D188 2540 | 9311963001388 | |
| 1-1/16 | 26.99 | 152 | 86 1/2 | D188 2699 | 9311963006321 | |
| 1-1/8 | 28.57 | 152 | 86 1/2 | D188 2858 | 9311963004075 | |
| 1-3/16 | 30.16 | 152 | 86 1/2 | D188 3016 | 9311963010663 | |
| 1-1/4 | 31.75 | 152 | 86 1/2 | D188 3175 | 9311963003900 | |

Note: Overall and flute lengths do not include drill point.

Drills Reduced Shank *

118° Standard Point
Common point for general purpose applications



Designed to increase the drilling capacity of drill chucks and for slow speed (350 RPM or less), large scale boring.



Size
6" (152mm) overall length with a 3-3/8" (86mm) flute length

Reduced Shank

Drill sizes above 12.5mm & 1/2" feature reduced shanks to suit 13mm drill chucks



Precision Ground Flute

Bright cutting edge with blue flute making it a better choice when drilling ferrous materials

Application

- DIY
- Trade
- Industrial Application
- Automotive
- Metalworker
- Machine Shop
- MRO

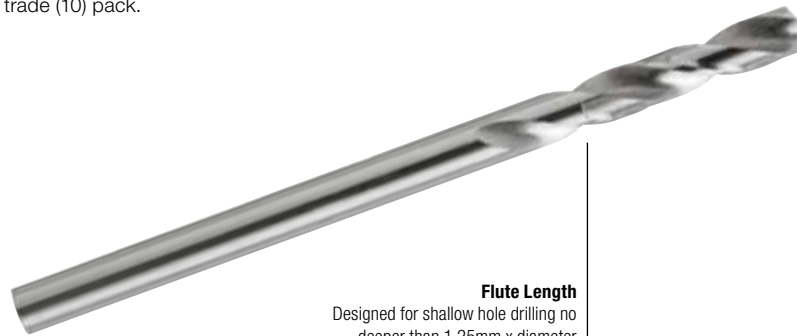
Discount Code: A0906

| Diameter mm | O/A Length | Flute Length | Shank | Item # | Barcode | Price |
|---------------------|------------|--------------|-------|---------|---------------|-------|
| Metric | | | | | | |
| 12.5mm Shank | | | | | | |
| 13.0 | 152.0 | 82.0 | 12.5 | 1620873 | 9312621736338 | |
| 13.5 | 152.0 | 82.0 | 12.5 | 1621137 | 9312621736369 | |
| 14.0 | 152.0 | 82.0 | 12.5 | 1621155 | 9312621736383 | |
| 14.5 | 152.0 | 82.0 | 12.5 | 1621280 | 9312621736406 | |
| 15.0 | 152.0 | 82.0 | 12.5 | 1621306 | 9312621736420 | |
| 15.5 | 152.0 | 82.0 | 12.5 | 1621459 | 9312621736451 | |
| 16.0 | 152.0 | 82.0 | 12.5 | 1621557 | 9312621736475 | |
| 16.5 | 152.0 | 82.0 | 12.5 | 1621575 | 9312621736499 | |
| 17.0 | 152.0 | 82.0 | 12.5 | 1621655 | 9312621173652 | |
| 17.5 | 152.0 | 82.0 | 12.5 | 1621762 | 9312621736543 | |
| 18.0 | 152.0 | 80.0 | 12.5 | 1621780 | 9312621736567 | |
| 18.5 | 152.0 | 80.0 | 12.5 | 1621888 | 9312621736581 | |
| 19.0 | 152.0 | 80.0 | 12.5 | 1621904 | 9312621736604 | |
| 19.5 | 152.0 | 80.0 | 12.5 | 1621995 | 9312621736635 | |
| 20.0 | 152.0 | 80.0 | 12.5 | 1622099 | 9312621736659 | |
| 21.0 | 152.0 | 80.0 | 12.5 | 1622197 | 9312621736680 | |
| 22.0 | 152.0 | 80.0 | 12.5 | 1622320 | 9312621736727 | |
| 23.0 | 152.0 | 80.0 | 12.5 | 1622446 | 9312621736758 | |
| 24.0 | 152.0 | 78.0 | 12.5 | 1622633 | 9312621736796 | |
| 25.0 | 152.0 | 78.0 | 12.5 | 1622731 | 9312621736826 | |
| 26.0 | 152.0 | 78.0 | 12.5 | 1622928 | 9312621736857 | |
| 27.0 | 152.0 | 78.0 | 12.5 | 1623139 | 9312621736888 | |
| 28.0 | 152.0 | 76.0 | 12.5 | 1623175 | 9312621736895 | |
| 29.0 | 152.0 | 76.0 | 12.5 | 1623362 | 9312621736918 | |
| 30.0 | 152.0 | 76.0 | 12.5 | 1623406 | 9312621736925 | |

| Diameter inch | Diameter mm | O/A Length | Flute Length | Shank | Item # | Barcode | Price |
|-------------------|-------------|------------|--------------|---------|---------------|---------------|-------|
| Imperial | | | | | | | |
| 3/8" Shank | | | | | | | |
| 9/16 | 14.29 | 6 | 3-15/16 | 3/8 | 132B05625 | 9311744071050 | |
| 5/8 | 15.87 | 6 | 3-7/8 | 3/8 | 132B06250 | 9311744071067 | |
| 3/4 | 19.05 | 6 | 3-3/4 | 3/8 | 132B07500 | 9311744071074 | |
| 1/2" Shank | | | | | | | |
| 17/32 | 6 | 3-1/16 | 1/2 | 1620891 | 9312621736352 | | |
| 9/16 | 6 | 3-1/16 | 1/2 | 1621164 | 9312621736390 | | |
| 19/32 | 6 | 3-1/16 | 1/2 | 1621315 | 9312621736437 | | |
| 5/8 | 6 | 3-1/16 | 1/2 | 1621468 | 9312621736468 | | |
| 21/32 | 6 | 3-1/16 | 1/2 | 1621584 | 9312621736505 | | |
| 11/16 | 6 | 3-1/16 | 1/2 | 1621673 | 9312621736536 | | |
| 23/32 | 6 | 3-1/8 | 1/2 | 1621799 | 9312621736574 | | |
| 3/4 | 6 | 3-1/8 | 1/2 | 1621913 | 9312621736611 | | |
| 25/32 | 6 | 3-1/8 | 1/2 | 1622008 | 9312621736642 | | |
| 13/16 | 6 | 3-1/8 | 1/2 | 1622124 | 9312621736673 | | |
| 27/32 | 6 | 3-1/8 | 1/2 | 1622213 | 9312621736703 | | |
| 7/8 | 6 | 3-1/8 | 1/2 | 1622339 | 9312621736734 | | |
| 29/32 | 6 | 3-1/8 | 1/2 | 1622455 | 9312621736765 | | |
| 15/16 | 6 | 3-1/8 | 1/2 | 1622544 | 9312621736789 | | |
| 31/32 | 6 | 3-1/16 | 1/2 | 1622660 | 9312621736819 | | |
| 1 | 6 | 3-1/16 | 1/2 | 1622759 | 9312621736840 | | |
| 1-1/32 | 6 | 3-1/16 | 1/2 | 1622937 | 9312621736864 | | |
| 1-1/16 | 6 | 3-1/16 | 1/2 | 1622964 | 9312621736871 | | |
| 1-1/8 | 6 | 3 | 1/2 | 1623200 | 9312621736901 | | |
| 1-3/16 | 6 | 3 | 1/2 | 1623415 | 9312621736932 | | |
| 1-1/4 | 6 | 3 | 1/2 | 1623620 | 9312621736949 | | |

suttontools

Developed to drill holes for rivets in flat and curved panels and used in sheet metal fabrication. Packaging, available in twin or trade (10) pack.



135° Self Centering Point
Minimises wandering when starting

Flute Length
Designed for shallow hole drilling no deeper than 1.25mm x diameter

- Application**
- DIY
 - Trade
 - Automotive
 - Electrician
 - Plumber
 - General Contractor
 - Metalworker
 - MRO

Discount Group: A0802



| Diameter | O/A Length | Flute Length | Order Qty | Item # | Barcode | Price |
|----------|------------|--------------|-----------|--------|---------|-------|
|----------|------------|--------------|-----------|--------|---------|-------|

Bright Finish

Double Blister Twin Pack

D131

| | | | | | | |
|-----|-------|-----|---|-----------|----------|--|
| 1/8 | 2-1/8 | 3/4 | 1 | D131 0318 | 93223140 | |
| #30 | 2-1/8 | 3/4 | 1 | D131 0326 | 93223157 | |
| #20 | 2-1/8 | 7/8 | 1 | D131 0409 | 93223164 | |
| #11 | 2-1/8 | 7/8 | 1 | D131 0485 | 93223171 | |

Double Blister – 10 Pack

D132

| | | | | | | |
|-----|-------|-----|---|-----------|---------------|--|
| 1/8 | 2-1/8 | 3/4 | 1 | D132 0318 | 9311963193717 | |
| #30 | 2-1/8 | 3/4 | 1 | D132 0326 | 9311963193724 | |
| #20 | 2-1/8 | 7/8 | 1 | D132 0409 | 9311963193731 | |
| #11 | 2-1/8 | 7/8 | 1 | D132 0485 | 9311963193748 | |

Bulk – 10 Pack

D121

| | | | | | | |
|-----|-------|-----|----|-----------|---------------|--|
| 1/8 | 2-1/8 | 3/4 | 10 | D121 0318 | 9311963007205 | |
| #30 | 2-1/8 | 3/4 | 10 | D121 0326 | 9311963002002 | |
| #20 | 2-1/8 | 7/8 | 10 | D121 0409 | 9311963008479 | |
| #11 | 2-1/8 | 7/8 | 10 | D121 0485 | 9311963003276 | |



Discount Group: A1002

| Diameter | O/A Length | Flute Length | Order Qty | Item # | Barcode | Price |
|----------|------------|--------------|-----------|--------|---------|-------|
|----------|------------|--------------|-----------|--------|---------|-------|

Stub 118° split point (A1002)

Bulk – 10 Pack

D123

| | | | | | | |
|-----|---------|--------|----|-----------|---------------|--|
| 1/8 | 1-7/8 | 7/8 | 10 | D123 0318 | 9311963004495 | |
| #30 | 1-15/16 | 15/16 | 10 | D123 0326 | 9311963001333 | |
| #20 | 2-1/8 | 1-1/16 | 10 | D123 0409 | 9311963006000 | |
| #11 | 2-1/4 | 1-3/16 | 10 | D123 0485 | 9311963002255 | |



| Diameter | O/A Length | Flute Length | Order Qty | Item # | Barcode | Price |
|----------|------------|--------------|-----------|--------|---------|-------|
|----------|------------|--------------|-----------|--------|---------|-------|

Blue Finish

Bulk – 10 Pack

D124

| | | | | | | |
|-----|-------|-----|----|-----------|---------------|--|
| 1/8 | 2-1/8 | 3/4 | 10 | D124 0318 | 9311963105543 | |
| #30 | 2-1/8 | 3/4 | 10 | D124 0326 | 9311963034942 | |
| #20 | 2-1/8 | 7/8 | 10 | D124 0409 | 9311963105550 | |
| #11 | 2-1/8 | 7/8 | 10 | D124 0485 | 9311963105567 | |



| Diameter | O/A Length | Flute Length | Order Qty | Item # | Barcode | Price |
|----------|------------|--------------|-----------|--------|---------|-------|
|----------|------------|--------------|-----------|--------|---------|-------|

TiN Coated (A0806)

Bulk – 1 Pack

D127

| | | | | | | |
|-----|-------|-----|---|-----------|---------------|--|
| 1/8 | 2-1/8 | 3/4 | 1 | D127 0318 | 9311963070568 | |
| #30 | 2-1/8 | 3/4 | 1 | D127 0326 | 9311963070575 | |
| #20 | 2-1/8 | 7/8 | 1 | D127 0409 | 9311963069944 | |
| #11 | 2-1/8 | 7/8 | 1 | D127 0485 | 9311963070582 | |



Discount Group: A1002

| Diameter | O/A Length | Flute Length | Order Qty | Item # | Barcode | Price |
|----------|------------|--------------|-----------|--------|---------|-------|
|----------|------------|--------------|-----------|--------|---------|-------|

Stub 118° split point (A1002)

Bulk – 10 Pack

D126

| | | | | | | |
|-----|---------|--------|----|-----------|---------------|--|
| 1/8 | 1-7/8 | 7/8 | 10 | D100 0318 | 9311963007731 | |
| #30 | 1-15/16 | 15/16 | 10 | D126 0326 | 9311963026589 | |
| #20 | 2-1/8 | 1-1/16 | 10 | D126 0409 | 9311963107196 | |
| #11 | 2-1/4 | 1-3/16 | 10 | D126 0485 | 9311963034935 | |

Rivet Chart

| Drill Diameter | Rivet Size |
|----------------|------------|
| 1/8 | 3mm |
| # 30 | 1/8 |
| # 20 | 4mm & 5/32 |
| # 11 | 3/16 |

Note: Drill diameter is larger than rivet size to allow clearance.

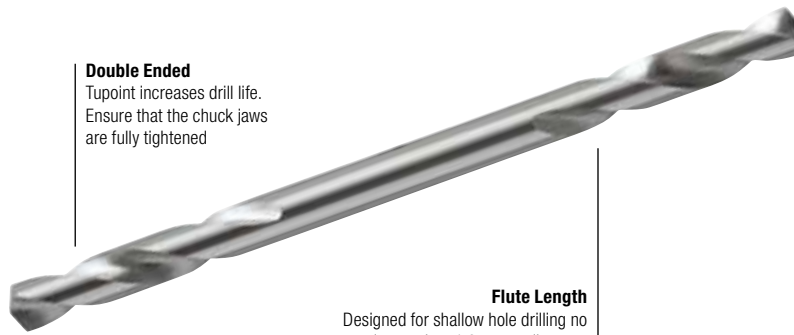
Note: Overall and flute lengths do not include drill point.

suttontools

Developed to drill holes for rivets in flat and curved panels and used in sheet metal fabrication.



Double Ended
Tupoint increases drill life.
Ensure that the chuck jaws
are fully tightened



135° Self Centering Point
Minimises wandering when starting

Flute Length
Designed for shallow hole drilling no
deeper than 1.25mm x diameter

Application

DIY
Trade
Automotive
Electrician
Plumber
General Contractor
Metalworker
MRO

Discount Group: A0802



| Diameter | O/A Length | Flute Length | Order Qty | Item # | Barcode | Price |
|-----------------------------------|------------|--------------|-----------|-------------|----------|-------|
| Bright Finish | | | | | | |
| Double Blister – Twin Pack | | | | D133 | | |
| 1/8 | 2-1/8 | 5/8 | 1 | D133 0318 | 93223188 | |
| #30 | 2-1/8 | 5/8 | 1 | D133 0326 | 93223195 | |
| #20 | 2-1/8 | 5/8 | 1 | D133 0409 | 93223201 | |
| #11 | 2-1/8 | 5/8 | 1 | D133 0485 | 93223218 | |

| | | | | | | |
|---------------------------------|-------|-----|---|-------------|---------------|--|
| Double Blister – 10 Pack | | | | D134 | | |
| 1/8 | 2-1/8 | 5/8 | 1 | D134 0318 | 9311963193755 | |
| #30 | 2-1/8 | 5/8 | 1 | D134 0326 | 9311963193762 | |
| #20 | 2-1/8 | 5/8 | 1 | D134 0409 | 9311963193779 | |
| #11 | 2-1/8 | 5/8 | 1 | D134 0485 | 9311963193786 | |

| | | | | | | |
|-------------------------------------|-------|-----|----|-------------|---------------|--|
| Bulk (Vinyl Pouch) – 10 Pack | | | | D122 | | |
| 1/8 | 2-1/8 | 5/8 | 10 | D122 0318 | 9311963000671 | |
| #30 | 2-1/8 | 5/8 | 10 | D122 0326 | 9311963000145 | |
| #20 | 2-1/8 | 5/8 | 10 | D122 0409 | 9311963001500 | |
| #11 | 2-1/8 | 5/8 | 10 | D122 0485 | 9311963000701 | |



| Diameter | O/A Length | Flute Length | Order Qty | Item # | Barcode | Price |
|-------------------------------------|------------|--------------|-----------|-------------|---------------|-------|
| Blue Finish | | | | D125 | | |
| Bulk (Vinyl Pouch) – 10 Pack | | | | | | |
| 1/8 | 2-1/8 | 5/8 | 10 | D125 0318 | 9311963063393 | |
| #30 | 2-1/8 | 5/8 | 10 | D125 0326 | 9311963039343 | |
| #20 | 2-1/8 | 5/8 | 10 | D125 0409 | 9311963105574 | |
| #11 | 2-1/8 | 5/8 | 10 | D125 0485 | 9311963105581 | |



| Diameter | O/A Length | Flute Length | Order Qty | Item # | Barcode | Price |
|---------------------------|------------|--------------|-----------|-------------|---------------|-------|
| TIN Coated (A0806) | | | | D128 | | |
| Bulk – 1 Pack | | | | | | |
| 1/8 | 2-1/8 | 5/8 | 1 | D128 0318 | 9311963070599 | |
| #30 | 2-1/8 | 5/8 | 1 | D128 0326 | 9311963067384 | |
| #20 | 2-1/8 | 5/8 | 1 | D128 0409 | 9311963069968 | |
| #11 | 2-1/8 | 5/8 | 1 | D128 0485 | 9311963069784 | |



| Diameter | O/A Length | Flute Length | Order Qty | Item # | Barcode | Price |
|--------------------------------|------------|--------------|-----------|-------------|---------------|-------|
| Cobalt High Speed Steel | | | | D130 | | |
| Bulk – 10 Pack | | | | | | |
| 1/8 | 2-1/8 | 5/8 | 10 | D130 0318 | 9311963064338 | |
| #30 | 2-1/8 | 5/8 | 10 | D130 0326 | 9311963064345 | |
| #20 | 2-1/8 | 5/8 | 10 | D130 0409 | 9311963064352 | |
| #11 | 2-1/8 | 5/8 | 10 | D130 0485 | 9311963064369 | |

Rivet Chart

| Drill Diameter | Rivet Size |
|----------------|------------|
| 1/8 | 3mm |
| # 30 | 1/8 |
| # 20 | 4mm & 5/32 |
| # 11 | 3/16 |

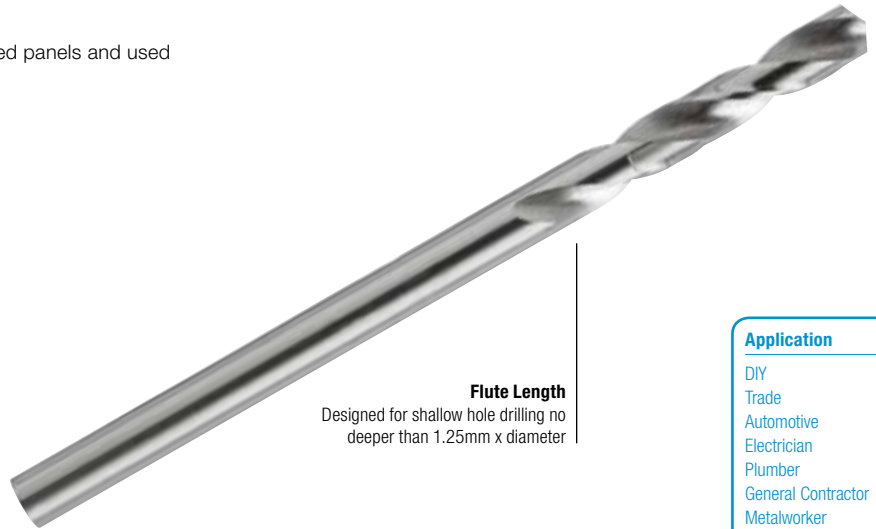
Note: Drill diameter is larger than rivet size to allow clearance.

Drills Panel & Rivet – Single Ended *



Developed to drill holes for rivets in flat and curved panels and used in sheet metal fabrication.

Packaging, available in twin or trade (10) pack.



135° Self Centering Point
Minimises wandering when starting

Flute Length
Designed for shallow hole drilling no deeper than 1.25mm x diameter

| Application |
|--------------------|
| DIY |
| Trade |
| Automotive |
| Electrician |
| Plumber |
| General Contractor |
| Metalworker |
| MRO |

Discount Group: A0802

| Diameter | O/A Length | Flute Length | Order Qty | Item # | Barcode | Price |
|-----------------------------------|------------|--------------|-----------|-----------|---------------|-------|
| Double Blister – Twin Pack | | | | | | |
| 1/8 | 2-1/8 | 3/4 | 1 | 126T01250 | 9311744033683 | |
| # 30 | 2-1/8 | 3/4 | 1 | 127T01285 | 9311744033836 | |
| # 20 | 2-1/8 | 7/8 | 1 | 127T01610 | 9311744033829 | |
| # 11 | 2-1/8 | 7/8 | 1 | 127T01910 | 9311744033812 | |
| Double Blister – 10 Pack | | | | | | |
| 1/8 | 2-1/8 | 3/4 | 1 | 126F01250 | 9311744034116 | |
| # 30 | 2-1/8 | 3/4 | 1 | 127F01285 | 9311744034123 | |
| # 20 | 2-1/8 | 7/8 | 1 | 127F01610 | 9311744034130 | |
| #11 | 2-1/8 | 7/8 | 1 | 127F01910 | 9311744034147 | |
| Bulk – 10 Pack | | | | | | |
| 1/8 | 2-1/8 | 3/4 | 10 | 1416511 | 9312621734242 | |
| # 30 | 2-1/8 | 3/4 | 10 | 1416619 | 9312621734259 | |
| # 20 | 2-1/8 | 7/8 | 10 | 1416717 | 9312621734266 | |
| # 11 | 2-1/8 | 7/8 | 10 | 1416815 | 9312621173423 | |

Drills Panel & Rivet – Hex Shank



| Size | Screw Gauge | Shank Size | Pieces | Item # | Barcode | Price |
|-------------------------|-------------|------------|--------|-----------|---------------|-------|
| Panel Drill Sets | | | | | | |
| #30 x 67mm | | 1/4 | 5 | 107BSTB30 | 9311744436293 | |
| 1/8 x 67mm | | 1/4 | 5 | 107BSTB18 | 9311744436309 | |

Rivet Chart

| Drill Diameter | Rivet Size |
|----------------|------------|
| 1/8 | 3mm |
| # 30 | 1/8 |
| # 20 | 4mm & 5/32 |
| # 11 | 3/16 |

Note: Drill diameter is larger than rivet size to allow clearance.



107BSTB30

*Not available once current stock is depleted.

www.suttontools.com

Prices exclude GST

Drills Panel & Rivet – Double Ended *

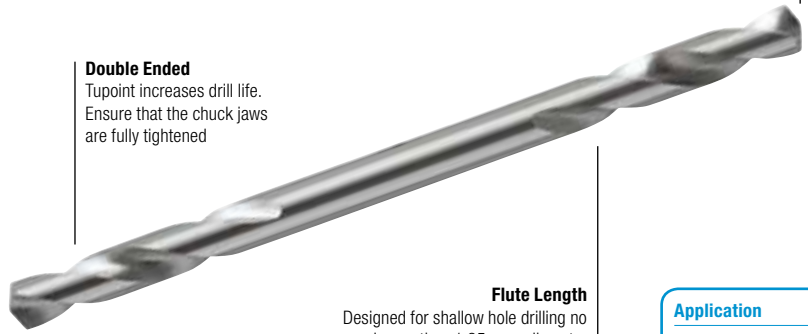


Developed to drill holes for rivets in flat and curved panels and used in sheet metal fabrication.

135° Self Centering Point
Minimises wandering when starting



Double Ended
Tupoint increases drill life.
Ensure that the chuck jaws
are fully tightened



Flute Length
Designed for shallow hole drilling no
deeper than 1.25mm x diameter

Application

- DIY
- Trade
- Automotive
- Electrician
- Plumber
- General Contractor
- Metalworker
- MRO

Discount Group: A0802

| Diameter | O/A Length | Flute Length | | Order Qty | Item # | Barcode | Price |
|-------------------------------------|------------|--------------|------------|-----------|-----------|---------------|-------|
| Bright Finish | | | | | | | |
| Double Blister – Twin Pack | | | | | | | |
| 1/8 | 2-1/8 | 5/8 | 3mm | 1 | 126D01250 | 9311744032280 | |
| # 30 | 2-1/8 | 5/8 | 1/8 | 1 | 127D01285 | 9311744032631 | |
| # 20 | 2-1/8 | 5/8 | 4mm & 5/32 | 1 | 127D01610 | 9311744032624 | |
| # 11 | 2-1/8 | 5/8 | 3/16 | 1 | 127D01910 | 9311744032617 | |
| Double Blister – 10 Pack | | | | | | | |
| 1/8 | 2-1/8 | 5/8 | 3mm | 1 | 126G01250 | 9311744034017 | |
| # 30 | 2-1/8 | 5/8 | 1/8 | 1 | 127G01285 | 9311744034024 | |
| # 20 | 2-1/8 | 5/8 | 4mm & 5/32 | 1 | 127G01610 | 9311744034031 | |
| #11 | 2-1/8 | 5/8 | 3/16 | 1 | 127G01910 | 9311744034048 | |
| Bulk (Vinyl Pouch) – 10 Pack | | | | | | | |
| 1/8 | 2-1/8 | 5/8 | 3mm | 10 | 1416011 | 9312621734204 | |
| # 30 | 2-1/8 | 5/8 | 1/8 | 10 | 1416119 | 9312621734211 | |
| # 20 | 2-1/8 | 5/8 | 4mm & 5/32 | 10 | 1416217 | 9312621734228 | |
| # 11 | 2-1/8 | 5/8 | 3/16 | 10 | 1416315 | 9312621734235 | |
| Cobalt High Speed Steel | | | | | | | |
| Double Blister – Twin Pack | | | | | | | |
| 1/8 | 2-1/8 | 5/8 | 3mm | 1 | 117D01250 | 9311744036080 | |
| # 30 | 2-1/8 | 5/8 | 1/8 | 1 | 117D01285 | 9311744037308 | |
| # 20 | 2-1/8 | 5/8 | 4mm & 5/32 | 1 | 117D01610 | 9311744037209 | |
| # 11 | 2-1/8 | 5/8 | 3/16 | 1 | 117D01910 | 9311744037117 | |

*Not available once current stock is depleted.



Made from M2 high speed steel. 135° modified point design.
Fully tested and approved by Sutton Tools R&D department.

Discount Group: A0802

| Diameter | O/A Length | Flute Length | | Order Qty | Item # | Barcode | Price |
|-------------------------|------------|--------------|------|-----------|--------|---------------|-------|
| Carded – 2 Pack | | | | | | | |
| # 30 | 2-1/8 | 5/8 | 1/8" | 1 | 92365 | 9312621923653 | |
| Carded – 10 Pack | | | | | | | |
| # 30 | 2-1/8 | 5/8 | 1/8" | 1 | 92366 | 9312621923660 | |

Prices exclude GST

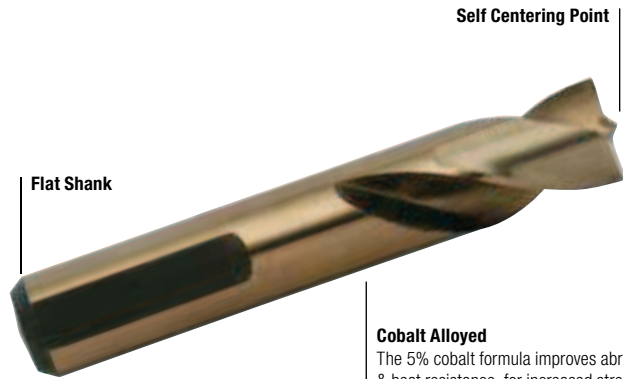
www.suttontools.com



For the quick and precise drilling out of spot welds in car bodywork repairs.

Cutting Speed

6.5 up to 950 RPM
8.0 up to 850 RPM



Flat Shank

Self Centering Point

Cobalt Alloyed

The 5% cobalt formula improves abrasive & heat resistance, for increased strength at higher drilling temperatures

Application

- DIY
- Trade
- Automotive
- Electrician
- Plumber
- Carpenter
- General Contractor
- Woodworker
- Metalworker
- Machine Shop
- MRO

Discount Group: A0802

| Diameter | O/A Length | Pack Qty | Item # | Barcode | Price |
|----------|------------|----------|---------|---------------|-------|
| 6.5 | 45.0 | 1 | 1420003 | 9312621744593 | |
| 8.0 | 38.0 | 1 | 1420005 | 9312621905116 | |
| 8.0 | 45.0 | 1 | 1420001 | 9312621744579 | |
| 8.0 | 77.0 | 1 | 1420002 | 9312621744586 | |



For use in sheet metal, aluminium, plastic & fibre glass, ideal for sheet metal without pre-drilling. During drilling, the next step deburrs the previously drilled hole.



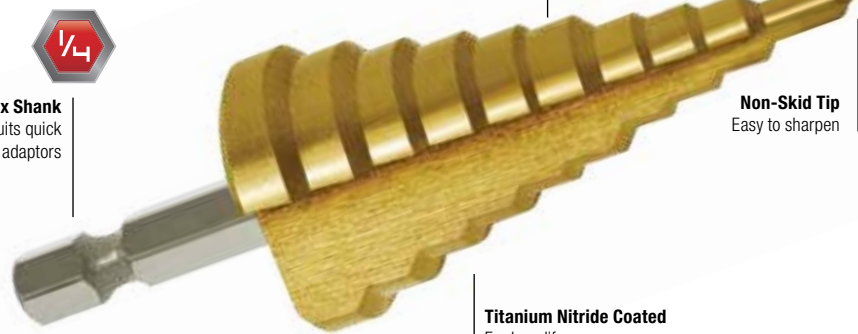
Fixed Drilling Steps
Spiral Flute for reduced vibration and greater control through steps

Made from HSS
Constructed from M2 high speed steel offering the best combination of strength, heat & wear resistance

Flat Shank
Three flats suits 3-jaw chuck

Discount Group: A1106

| Range | Steps | Sizes | Shank | Item # | Barcode | Price |
|-------------------------------------|-------------------------|---|-------|-----------|---------------|-------|
| Step Drills – Workshop Range | | | | | | |
| 4-12mm | 9 | 4, 5, 6, 7, 8, 9, 10, 11, 12mm | 6 | 107SD0412 | 9311744437474 | |
| 4-20mm | 9 | 4, 6, 8, 10, 12, 14, 16, 18, 20mm | 8 | 107SD0420 | 9311744437481 | |
| 4-30mm | 14 | 4, 6, 8, 10, 12, 14, 16, 18, 20, 22, 24, 26, 28, 30mm | 10 | 107SD0430 | 9311744437498 | |
| 6-36mm | 11 | 6, 9, 12, 15, 18, 21, 24, 27, 30, 33, 36mm | 12 | 107SD0636 | 9311744437504 | |
| Sets | | | | | | |
| 3pce Set | 4-12mm, 4-20mm & 6-36mm | | | 107SD0003 | 9311744439775 | |



Fixed Drilling Steps
Two straight fluted cutting edges for greater control through steps

Non-Skid Tip
Easy to sharpen

Hex Shank
1/4" hex shank suits quick change adaptors

Titanium Nitride Coated
For long life

Discount Group: A0424

| Range | Steps | Sizes | Shank | Item # | Barcode | Price |
|-------------------------------------|-------|---|-------|-----------|---------------|-------|
| Step Drills – Quickbit Range | | | | | | |
| 4-12mm | 8 | 4, 5, 6, 7, 8, 10, 11, 12mm | 1/4 | 149040120 | 9311744435135 | |
| 4-25mm | 11 | 4, 6, 8, 10, 12, 14, 16, 18, 20, 22, 25mm | 1/4 | 149040250 | 9311744435142 | |
| 5/32-1/2" | 12 | 5/32, 3/16, 7/32, 1/4, 9/32, 5/16, 11/32, 3/8, 13/32, 7/16, 15/32, 1/2" | 1/4 | 149010032 | 9311744435159 | |
| 5/32-1" | 10 | 5/32, 1/4, 5/16, 3/8, 1/2, 9/16, 21/32, 3/4, 7/8, 1" | 1/4 | 149010064 | 9311744435166 | |

suttontools

5x faster than standard spade bits.

The Sutton Tools spade bit incorporates the latest design technologies for the most powerful and fastest cutting bit on the market. Combining a power chip-breaker and heavy duty shank to increase efficiency and battery life of your power tool, with clean cutting and minimal break out on exit. Designed for drilling in timber and light building materials.



Check out the demo



Spur Cutting Edge
Reduce splintering and ensure a smooth clean hole

Impact Ready
Suitable for impact drivers and standard power drills

Heavy Duty Shank
For maximum strength & durability

Hole
For hanging in workshop and pulling wires through holes

Power Chip Breaker Edge
5x faster than standard spade bits

Application
DIY
Trade
Cabinet Maker
Furniture Maker
Woodworker

Discount Group: A1302

| Diameter | Item # | Barcode | Price |
|--------------------------|--|---------------|---------------|
| D501 | | | |
| 6 | D501 0600 | 9311963022048 | |
| 8 | D501 0800 | 9311963015545 | |
| 10 | D501 1000 | 9311963012452 | |
| 12 | D501 1200 | 9311963071350 | |
| 14 | D501 1400 | 9311963071367 | |
| 16 | D501 1600 | 9311963013794 | |
| 18 | D501 1800 | 9311963071374 | |
| 19 | D501 1900 | 9311963013145 | |
| 20 | D501 2000 | 9311963071381 | |
| 22 | D501 2200 | 9311963009155 | |
| 24 | D501 2400 | 9311963071398 | |
| 25 | D501 2500 | 9311963007908 | |
| 28 | D501 2800 | 9311963013800 | |
| 30 | D501 3000 | 9311963071404 | |
| 32 | D501 3200 | 9311963014715 | |
| 35 | D501 3500 | 9311963022055 | |
| 38 | D501 3800 | 9311963022062 | |
| Sets | | | |
| 3pce Set | 19, 22, 25mm | D501 SS3 | 9311963434087 |
| 6pce Set | 16, 19, 22, 25, 32mm & 150mm Extension Shank | D501 SS6 | 9311963434094 |
| | 10, 12, 16, 19, 22, 25mm (Vinyl Wallet) | D501 SS6W | 9311963595016 |
| Extension Shanks* | | | |
| D502 | | | |
| 150mm | Extension Shank | D502 150L | 9311963075471 |
| 300mm | Extension Shank | D502 300L | 9311963013817 |



D502 150L



D501 SS3



D501 SS6W

*Suitable for use with Spade Bits 19mm and larger



For drilling in timber and light building materials.
Used for cable, window & pipe installation.



Hex Shank
For positive grip,
preventing slippage
in chuck

Heavy Duty Shank
For maximum strength & durability

Hole
For hanging in workshop and
pulling wires through holes

Spur Cutting Edge
Reduce splintering
and ensure a smooth
clean hole



Power Chip Breaker Edge
5x faster than standard spade bits

Application

- DIY
- Trade
- Cabinet Maker
- Furniture Maker
- Woodworker

Discount Group: A1302

| Diameter | Item # | Barcode | Price |
|-------------------------------------|--|---------------|---------------|
| 6.0 | 226B02500 | 9311744160013 | |
| 8.0 | 226B03125 | 9311744160020 | |
| 10.0 | 226B03750 | 9311744160037 | |
| 12.0 | 226B05000 | 9311744160051 | |
| 14.0 | 226B05625 | 9311744160068 | |
| 16.0 | 226B06250 | 9311744160075 | |
| 18.0 | 226B06875 | 9311744160082 | |
| 19.0 | 226B07500 | 9311744160105 | |
| 20.0 | 226B08125 | 9311744160099 | |
| 22.0 | 226B08750 | 9311744160112 | |
| 24.0 | 226B09375 | 9311744160129 | |
| 25.0 | 226B10000 | 9311744160136 | |
| 28.0 | 226B11250 | 9311744160143 | |
| 30.0 | 226B11811 | 9311744438709 | |
| 32.0 | 226B12500 | 9311744160150 | |
| 35.0 | 226B13750 | 9311744160167 | |
| 38.0 | 226B15000 | 9311744160174 | |
| Sets | | | |
| 3pce Set | 19mm, 22mm, 25mm | 226B00FS3 | 9311744161010 |
| 6pce Set | 16mm, 19mm, 22mm, 25mm, 32mm & 150mm Extension Shank | 226B00FS6 | 9311744161027 |
| Extension Shanks¹ | | | |
| 150mm | Extension Shank | 226EXT150 | 9311744161058 |
| 300mm | Extension Shank | 226EXTBIT | 9311744161041 |



226B00FS3



226B00FS6



TRADE TOUGH

Discount Group: A1302

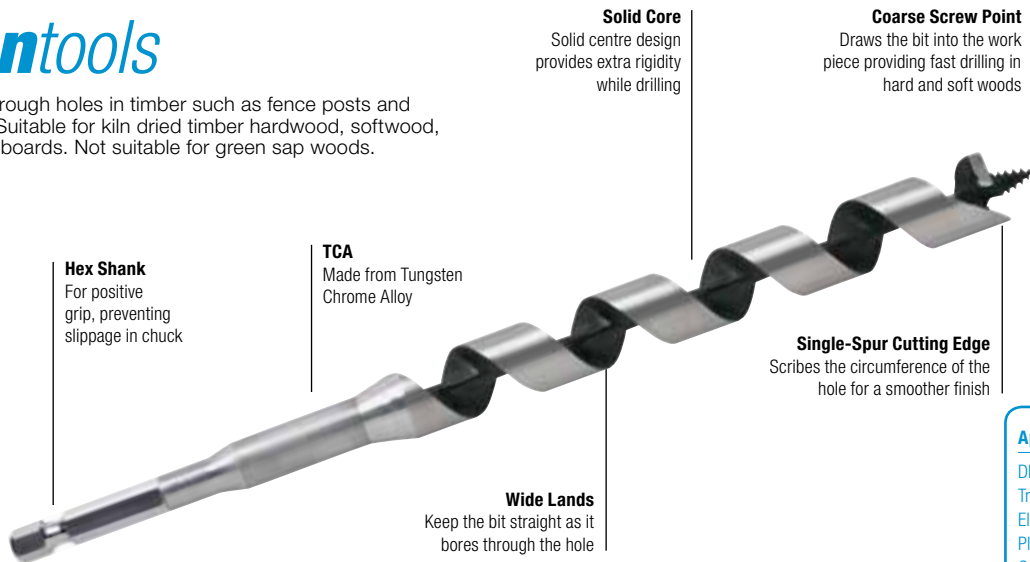
| Diameter | Item # | Barcode | Price |
|-----------------|---|---------|---------------|
| Sets | | | |
| 3pce Set | 19, 22 & 25mm | 92458 | 9312621924582 |
| 5pce Set | 12, 16, 18, 20 & 25mm | 92286 | 9312621922861 |
| 6pce Set | 16, 19, 22, 25 & 32mm Includes 150mm extension shank and allen key | 92452 | 9312621924520 |



92452

suttontools

For fast cutting through holes in timber such as fence posts and railway sleepers. Suitable for kiln dried timber hardwood, softwood, MDF and particle boards. Not suitable for green sap woods.



Application

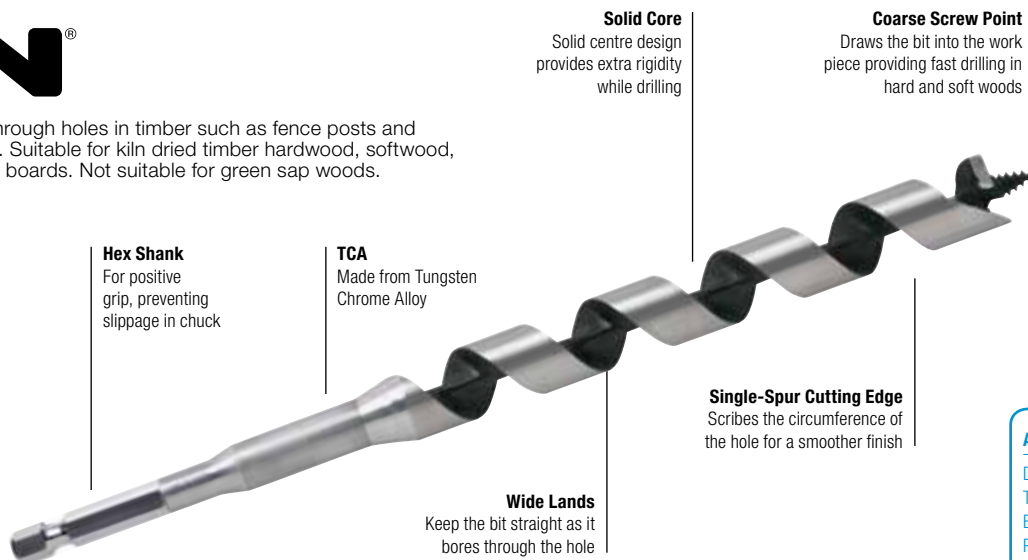
- DIY
- Trade
- Electrician
- Plumber
- Carpenter
- Woodworker
- Roofer

Discount Group: A0102

| Diameter | O/A Length | Flute Length | Shank Inch | Item # | Barcode | Price |
|----------------------|------------|--------------|------------|-------------|---------------|-------|
| Short Series | | | | D510 | | |
| 6.0 | 160 | 100 | 1/4 | D510 0600 | 9311963371504 | |
| 8.0 | 170 | 100 | 1/4 | D510 0800 | 9311963371511 | |
| 10 | 190 | 120 | 1/4 | D510 1000 | 9311963371528 | |
| 12 | 190 | 120 | 1/4 | D510 1200 | 9311963371535 | |
| 13 | 190 | 120 | 7/16 | D510 1300 | 9311963371542 | |
| 14 | 200 | 130 | 7/16 | D510 1400 | 9311963371559 | |
| 16 | 200 | 130 | 7/16 | D510 1600 | 9311963371566 | |
| 18 | 200 | 130 | 7/16 | D510 1800 | 9311963371573 | |
| 20 | 210 | 140 | 7/16 | D510 2000 | 9311963371580 | |
| 22 | 210 | 140 | 7/16 | D510 2200 | 9311963371597 | |
| 25 | 210 | 140 | 7/16 | D510 2500 | 9311963371603 | |
| Medium Series | | | | D511 | | |
| 6.0 | 230 | 165 | 1/4 | D511 0600 | 9311963371610 | |
| 8.0 | 225 | 165 | 1/4 | D511 0800 | 9311963371627 | |
| 10 | 250 | 190 | 1/4 | D511 1000 | 9311963371634 | |
| 12 | 270 | 195 | 1/4 | D511 1200 | 9311963371641 | |
| 14 | 290 | 210 | 7/16 | D511 1400 | 9311963371648 | |
| 16 | 290 | 210 | 7/16 | D511 1600 | 9311963371655 | |
| 18 | 330 | 240 | 7/16 | D511 1800 | 9311963371662 | |
| 20 | 330 | 240 | 7/16 | D511 2000 | 9311963371669 | |
| 22 | 330 | 240 | 7/16 | D511 2200 | 9311963371676 | |
| 25 | 330 | 240 | 7/16 | D511 2500 | 9311963371683 | |
| 30 | 330 | 240 | 7/16 | D511 3000 | 9311963371690 | |
| 32 | 330 | 240 | 7/16 | D511 3200 | 9311963371697 | |
| 35 | 330 | 240 | 7/16 | D511 3500 | 9311963371704 | |
| Long Series | | | | D512 | | |
| 6.0 | 460 | 400 | 1/4 | D512 0600 | 9311963371711 | |
| 8.0 | 460 | 400 | 1/4 | D512 0800 | 9311963371718 | |
| 10 | 500 | 400 | 1/4 | D512 1000 | 9311963371725 | |
| 12 | 500 | 400 | 1/4 | D512 1200 | 9311963371732 | |
| 13 | 500 | 400 | 7/16 | D512 1300 | 9311963371739 | |
| 14 | 500 | 400 | 7/16 | D512 1400 | 9311963371746 | |
| 16 | 500 | 400 | 7/16 | D512 1600 | 9311963371753 | |
| 18 | 500 | 400 | 7/16 | D512 1800 | 9311963371760 | |
| 20 | 500 | 400 | 7/16 | D512 2000 | 9311963371767 | |
| 22 | 500 | 400 | 7/16 | D512 2200 | 9311963371774 | |
| 25 | 500 | 400 | 7/16 | D512 2500 | 9311963371781 | |
| 30 | 500 | 400 | 7/16 | D512 3000 | 9311963371788 | |
| 32 | 500 | 400 | 7/16 | D512 3200 | 9311963371795 | |
| 35 | 500 | 400 | 7/16 | D512 3500 | 9311963371802 | |
| 38 | 500 | 400 | 7/16 | D512 3800 | 9311963371809 | |



For fast cutting through holes in timber such as fence posts and railways sleepers. Suitable for kiln dried timber hardwood, softwood, MDF and particle boards. Not suitable for green sap woods.



Solid Core
Solid centre design provides extra rigidity while drilling

Coarse Screw Point
Draws the bit into the work piece providing fast drilling in hard and soft woods

Hex Shank
For positive grip, preventing slippage in chuck

TCA
Made from Tungsten Chrome Alloy

Single-Spur Cutting Edge
Scribes the circumference of the hole for a smoother finish

Wide Lands
Keep the bit straight as it bores through the hole

Application

- DIY
- Trade
- Electrician
- Plumber
- Carpenter
- Woodworker
- Roofer

Discount Group: A0102

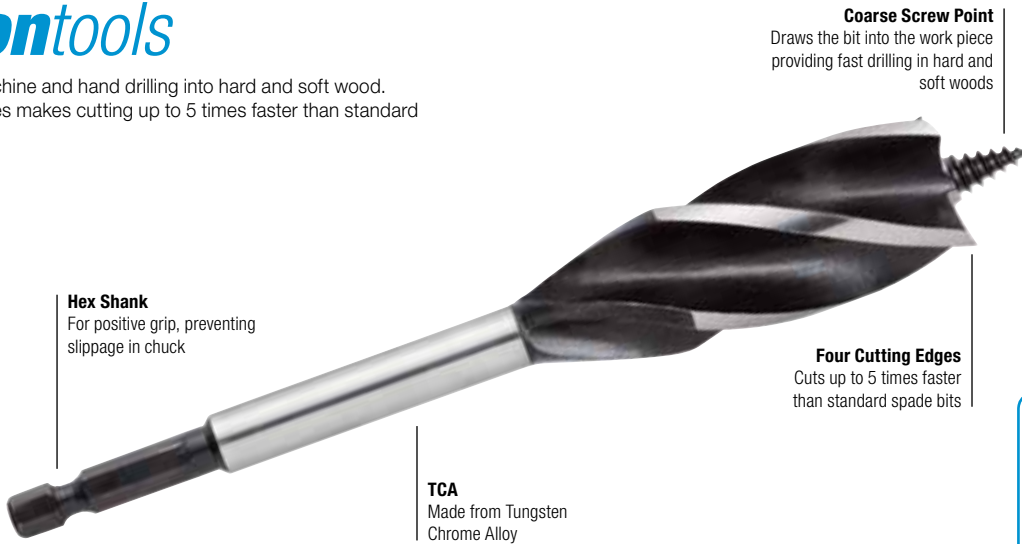
| Diameter | O/A Length | Flute Length | Hex Shank | | Item # | Barcode | Price |
|----------------------|------------|--------------|-----------|-------|-----------|---------------|-------|
| | | | mm | inch | | | |
| Short Series | | | | | | | |
| 6.0 | 160 | 100 | 5.0 | 7/32 | 245S02500 | 9312621180025 | |
| 8.0 | 170 | 100 | 6.35 | 1/4 | 245S03125 | 9312621180094 | |
| 10.0 | 190 | 120 | 6.35 | 1/4 | 245S03750 | 9312621180162 | |
| 12.0 | 190 | 120 | 6.35 | 1/4 | 245S04724 | 9312621180230 | |
| 13.0 | 190 | 120 | 6.35 | 1/4 | 245S05000 | 9312621180308 | |
| 14.0 | 200 | 130 | 6.35 | 1/4 | 245S05625 | 9312621180377 | |
| 16.0 | 200 | 130 | 6.35 | 1/4 | 245S06250 | 9312621180445 | |
| 18.0 | 200 | 130 | 6.35 | 1/4 | 245S06875 | 9312621180513 | |
| 20.0 | 210 | 140 | 8.6 | 21/64 | 245S07874 | 9312621180582 | |
| 22.0 | 210 | 140 | 8.6 | 21/64 | 245S08750 | 9312621180650 | |
| 25.0 | 210 | 140 | 8.6 | 21/64 | 245S10000 | 9312621180728 | |
| Medium Series | | | | | | | |
| 8.0 | 225 | 165 | 6.35 | 1/4 | 245M03125 | 9312621180797 | |
| 10.0 | 250 | 190 | 6.35 | 1/4 | 245M03750 | 9312621180865 | |
| 12.0 | 270 | 195 | 9.0 | 11/32 | 245M04724 | 9312621180933 | |
| 14.0 | 290 | 210 | 9.0 | 11/32 | 245M05625 | 9312621181008 | |
| 16.0 | 290 | 210 | 9.0 | 11/32 | 245M06250 | 9312621181077 | |
| 18.0 | 330 | 240 | 9.0 | 11/32 | 245M06875 | 9312621181145 | |
| 20.0 | 330 | 240 | 9.0 | 11/32 | 245M07874 | 9312621181213 | |
| 22.0 | 330 | 240 | 9.0 | 11/32 | 245M08750 | 9312621181282 | |
| 25.0 | 330 | 240 | 9.0 | 11/32 | 245M10000 | 9312621181350 | |
| 30.0 | 330 | 240 | 11.0 | 27/64 | 245M11875 | 9312621181428 | |
| 32.0 | 330 | 240 | 11.0 | 27/64 | 245M12500 | 9312621181497 | |
| 35.0 | 330 | 240 | 11.0 | 27/64 | 245M13750 | 9312621181565 | |
| Long Series | | | | | | | |
| 10.0 | 500 | 400 | 8.6 | 21/64 | 245L03750 | 9312621181633 | |
| 12.0 | 500 | 400 | 8.6 | 21/64 | 245L04724 | 9312621181701 | |
| 13.0 | 500 | 400 | 11.1 | 7/16 | 245L05000 | 9312621181770 | |
| 14.0 | 500 | 400 | 11.1 | 7/16 | 245L05625 | 9312621181848 | |
| 16.0 | 500 | 400 | 11.1 | 7/16 | 245L06250 | 9312621181916 | |
| 18.0 | 500 | 400 | 11.1 | 7/16 | 245L06875 | 9312621181985 | |
| 20.0 | 500 | 400 | 11.1 | 7/16 | 245L07874 | 9312621182050 | |
| 22.0 | 500 | 400 | 11.1 | 7/16 | 245L08750 | 9312621182128 | |
| 25.0 | 500 | 400 | 11.1 | 7/16 | 245L10000 | 9312621182197 | |
| 30.0 | 500 | 400 | 11.1 | 7/16 | 245L11875 | 9312621182265 | |
| 32.0 | 500 | 400 | 11.1 | 7/16 | 245L12500 | 9312621182333 | |
| 35.0 | 500 | 400 | 11.1 | 7/16 | 245L13750 | 9312621182401 | |
| 38.0 | 500 | 400 | 11.1 | 7/16 | 245L15000 | 9312621182470 | |

*Not available once current stock is depleted.

Prices exclude GST

suttontools

Designed for machine and hand drilling into hard and soft wood. Four cutting edges makes cutting up to 5 times faster than standard spade bits.



Hex Shank
For positive grip, preventing slippage in chuck

TCA
Made from Tungsten Chrome Alloy

Coarse Screw Point
Draws the bit into the work piece providing fast drilling in hard and soft woods

Four Cutting Edges
Cuts up to 5 times faster than standard spade bits

| Application |
|-------------|
| DIY |
| Trade |
| Electrician |
| Plumber |
| Carpenter |
| Woodworker |
| Rofer |

Discount Group: A0102

| Diameter | O/A Length | Flute Length | Shank | Item # | Barcode | Price |
|-------------|----------------------|--------------|-------|-----------|---------------|-------|
| D514 | | | | | | |
| 10 | 165 | 42 | 1/4 | D514 1000 | 9311963551715 | |
| 13 | 165 | 45 | 1/4 | D514 1300 | 9311963551722 | |
| 16 | 165 | 45 | 1/4 | D514 1600 | 9311963551739 | |
| 19 | 165 | 45 | 1/4 | D514 1900 | 9311963551746 | |
| 22 | 165 | 42 | 1/4 | D514 2200 | 9311963551753 | |
| 25 | 165 | 42 | 1/4 | D514 2500 | 9311963551760 | |
| 32 | 165 | 45 | 7/16 | D514 3200 | 9311963551777 | |
| Sets | | | | | | |
| 3pce | 16, 19, 25mm | | | D514 0003 | 9311963551784 | |
| 5pce | 16, 19, 22, 25, 32mm | | | D514 0005 | 9311963551791 | |



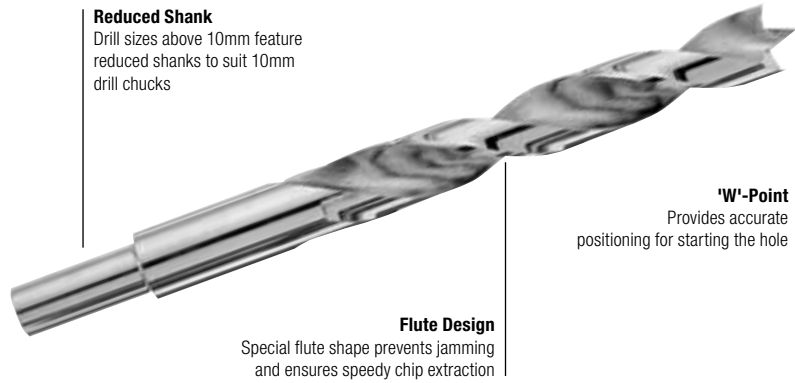
D514 0003



D514 0005

suttontools

Precision ground brad point drills for use in furniture making, dowelling, cabinetry and other woodworking applications.



Spur Cutting Edges
Reduce splintering and ensure a smooth clean hole

Reduced Shank
Drill sizes above 10mm feature reduced shanks to suit 10mm drill chucks

'W'-Point
Provides accurate positioning for starting the hole

Flute Design
Special flute shape prevents jamming and ensures speedy chip extraction

Application
DIY
Trade
Cabinet Maker
Furniture Maker
Woodworker

Discount Group: A1132

| Diameter | O/A Length | Flute Length | Shank | Item # | Barcode | Price |
|-------------|------------|--------------|-------|-----------|---------------|-------|
| D500 | | | | | | |
| 4.0 | 75 | 43 | | D500 0400 | 9311963098340 | |
| 5.0 | 86 | 52 | | D500 0500 | 9311963098357 | |
| 6.0 | 93 | 57 | | D500 0600 | 9311963098364 | |
| 8.0 | 117 | 75 | | D500 0800 | 9311963098371 | |
| 9.5 | 125 | 81 | | D500 0950 | 9311963098388 | |
| 10 | 133 | 87 | | D500 1000 | 9311963098395 | |
| 12 | 151 | 101 | 10 | D500 1200 | 9311963098401 | |

FROST



'W'-Point
Provides accurate positioning for starting the hole

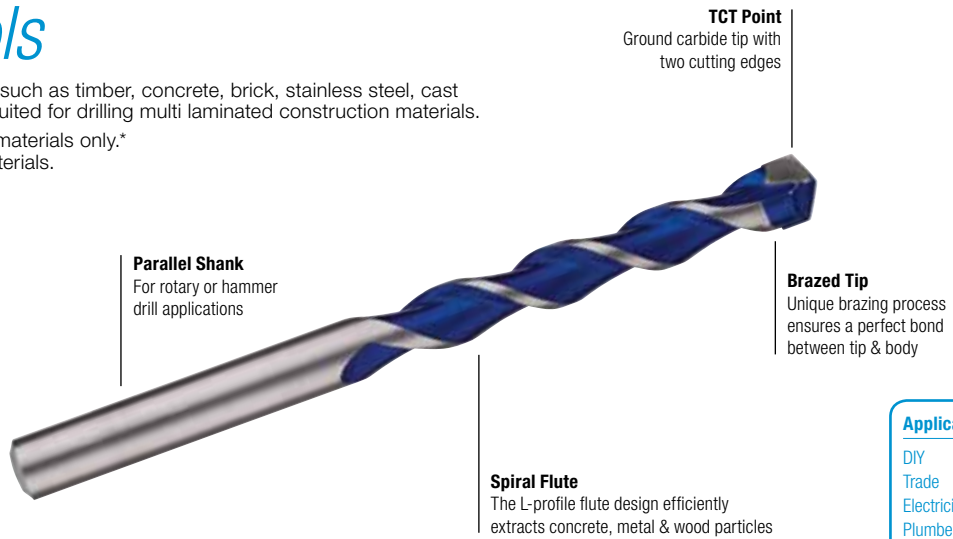
Surface Finish
Bright cutting edge with blue flute

Discount Group: A1202

| Description | Sizes | Pieces | Item # | Barcode | Price |
|--------------------|----------------------------|--------|--------|---------------|-------|
| Set – Brad pointed | 3, 4, 5, 6, 7, 8, 9 & 10mm | 8 | 92270 | 9312621922700 | |

suttontools

For drilling in various materials such as timber, concrete, brick, stainless steel, cast iron, steel & glass. Especially suited for drilling multi laminated construction materials.
 Hammer Action: For masonry materials only.*
 Rotary Action: For all other materials.



| Application |
|-------------|
| DIY |
| Trade |
| Electrician |
| Plumber |
| Carpenter |
| Plasterer |
| Masonry |

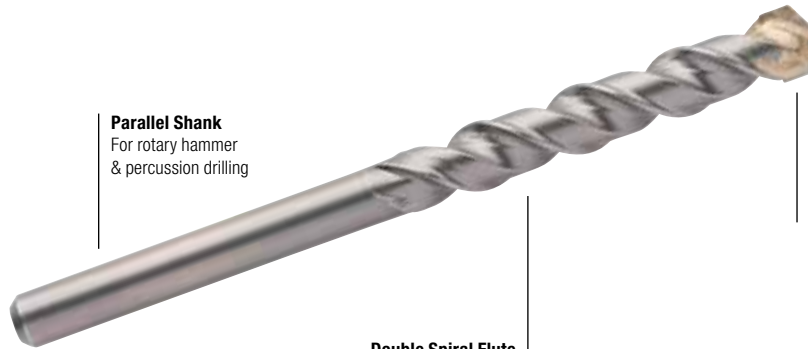
Discount Group: A0604

| Diameter | Plug Colour | O/A Length | Item # | Barcode | Price |
|------------------------|-------------|------------|-------------|---------------|-------|
| Standard Length | | | D610 | | |
| 3.0 | Yellow | 60 | D610 0300 | 9311963432502 | |
| 4.0 | | 75 | D610 0400 | 9311963432519 | |
| 5.0 | White | 85 | D610 0500 | 9311963432526 | |
| 5.5 | Red | 85 | D610 0550 | 9311963432533 | |
| 6.0 | | 100 | D610 0600 | 9311963432540 | |
| 6.5 | Green | 100 | D610 0650 | 9311963432557 | |
| 7.0 | | 100 | D610 0700 | 9311963432564 | |
| 8.0 | Blue | 120 | D610 0800 | 9311963432571 | |
| 9.0 | | 120 | D610 0900 | 9311963432588 | |
| 10 | Orange | 120 | D610 1000 | 9311963432595 | |
| 12 | | 150 | D610 1200 | 9311963432649 | |
| 13 | | 150 | D610 1300 | 9311963432847 | |
| 14 | | 150 | D610 1400 | 9311963432656 | |
| 15 | | 150 | D610 1500 | 9311963432854 | |
| 16 | Black | 150 | D610 1600 | 9311963432861 | |
| Extra Length | | | D611 | | |
| 6.5 | Green | 300 | D611 0653 | 9311963432878 | |
| 7.0 | | 300 | D611 0703 | 9311963432885 | |
| 8.0 | Blue | 300 | D611 0803 | 9311963432663 | |
| 10 | Orange | 300 | D611 1003 | 9311963432670 | |
| 12 | | 300 | D611 1203 | 9311963432687 | |
| 13 | | 300 | D611 1303 | 9311963432892 | |

*Drilling masonry materials prior to wood or steel will dull tip reducing the cutting performance.

suttontools

Tradesman quality ideal for use in natural and artificial stone, masonry, brickwork & concrete.



Parallel Shank
For rotary hammer
& percussion drilling

Double Spiral Flute
Rolled double flute, provides greater
dust extraction, extending drill life

TCT Point
Two cutting edged carbide percussion
tip with semi positive profile for
aggressive drilling in hard materials

Brazed Tip
Unique brazing
process ensures
a perfect bond
between tip & body

Application

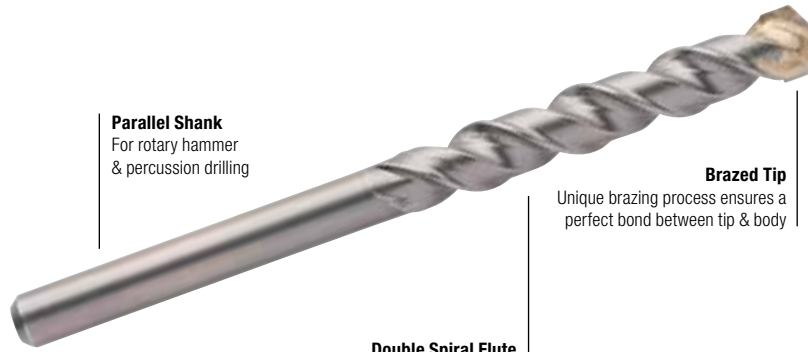
- DIY
- Trade
- Electrician
- Plumber
- Carpenter
- Plasterer
- Masonry

Discount Group: A0604

| Diameter | Plug Colour | O/A Length | Shank | Item # | Barcode | Price |
|---|-------------|------------|-------|-------------|---------------|-------|
| Standard Fixing | | | | D600 | | |
| 3.0 | Yellow | 60 | | D600 0300 | 93220705 | |
| 4.0 | | 75 | | D600 0400 | 93220712 | |
| 5.0 | White | 85 | | D600 0500 | 93220729 | |
| 5.5 | Red | 95 | | D600 0550 | 93220736 | |
| 6.0 | | 100 | | D600 0600 | 93220743 | |
| 6.5 | Green | 100 | | D600 0650 | 93220750 | |
| 7.0 | | 100 | | D600 0700 | 93220767 | |
| 8.0 | Blue | 120 | | D600 0800 | 93220774 | |
| 9.0 | | 120 | | D600 0900 | 93220781 | |
| 10 | Orange | 120 | | D600 1000 | 93220798 | |
| 12 | | 120 | 10 | D600 1200 | 93220811 | |
| 13 | | 120 | 10 | D600 1300 | 93220828 | |
| Single Brick | | | | D601 | | |
| 5.0 | White | 150 | | D601 0500 | 93220835 | |
| 5.5 | Red | 150 | | D601 0550 | 93220842 | |
| 6.0 | | 150 | | D601 0600 | 93220859 | |
| 6.5 | Green | 150 | | D601 0650 | 93220866 | |
| 7.0 | | 150 | | D601 0700 | 93220873 | |
| 8.0 | Blue | 150 | | D601 0800 | 93220880 | |
| 10 | Orange | 150 | | D601 1000 | 93220897 | |
| 11 | Grey | 150 | 10 | D601 1100 | 93220903 | |
| 12 | | 150 | 10 | D601 1200 | 93220910 | |
| 13 | | 150 | 10 | D601 1300 | 93220927 | |
| 14 | | 150 | 10 | D601 1400 | 93220934 | |
| 16 | Black | 150 | 12.7 | D601 1600 | 93220941 | |
| 20 | | 160 | 12.7 | D601 2000 | 93221337 | |
| 22 | | 160 | 12.7 | D601 2200 | 93221344 | |
| 25 | | 160 | 12.7 | D601 2500 | 93221351 | |
| Double Brick | | | | D602 | | |
| 6.5 | | 400 | | D602 0650 | 9311963003740 | |
| 8.0 | | 400 | | D602 0800 | 9311963005539 | |
| 10 | | 400 | | D602 1000 | 9311963003177 | |
| 13 | | 400 | 10 | D602 1300 | 9311963003948 | |
| 16 | | 400 | 12.7 | D602 1600 | 9311963004716 | |
| 20 | | 400 | 12.7 | D602 2000 | 9311963008288 | |
| 22 | | 400 | 12.7 | D602 2200 | 9311963010823 | |
| 25 | | 400 | 12.7 | D602 2500 | 9311963009179 | |
| Set | | | | | | |
| SMD2 (SF): 4.0, 5.0, 5.5, 6.5, 8.0, 10.0mm | | | 6 | D600 SMD2 | 9311963080055 | |



Tradesman quality ideal for use in natural and artificial stone, masonry, brickwork & concrete.



Parallel Shank
For rotary hammer
& percussion drilling

Double Spiral Flute
Rolled double flute, provides greater
dust extraction, extending drill life

TCT Point
Two cutting edged carbide percussion
tip with semi positive profile for
aggressive drilling in hard materials

Brazed Tip
Unique brazing process ensures a
perfect bond between tip & body

Application

DIY
Trade
Electrician
Plumber
Carpenter
Plasterer
Masonry

Discount Group: A0604

| Diameter | Plug Colour | O/A Length | Shank | Item # | Barcode | Price |
|------------------------|-------------|------------|-------|-----------|---------------|-------|
| Standard Fixing | | | | | | |
| 3.0 | Yellow | 60 | | 140H00030 | 9311744090013 | |
| 4.0 | | 75 | | 140H00040 | 9311744090020 | |
| 5.0 | White | 85 | | 140H00050 | 9311744090037 | |
| 5.5 | Red | 95 | | 140H00055 | 9311744090044 | |
| 6.0 | | 100 | | 140H00060 | 9311744090051 | |
| 6.5 | Green | 100 | | 140H00065 | 9311744090068 | |
| 7.0 | | 100 | | 140H00070 | 9311744090075 | |
| 8.0 | Blue | 120 | | 140H00080 | 9311744090082 | |
| 9.0 | | 120 | | 140H00090 | 9311744090099 | |
| 10 | Orange | 120 | | 140H00100 | 9311744090105 | |
| Single Brick | | | | | | |
| 5.0 | White | 150 | | 143H00050 | 9311744091010 | |
| 5.5 | Red | 150 | | 143H00055 | 9311744091027 | |
| 6.0 | | 150 | | 143H00060 | 9311744091034 | |
| 6.5 | Green | 150 | | 143H00065 | 9311744091041 | |
| 7.0 | | 150 | | 143H00070 | 9311744091058 | |
| 8.0 | Blue | 150 | | 143H00080 | 9311744091065 | |
| 10 | Orange | 150 | | 143H00100 | 9311744091072 | |
| 11 | Grey | 150 | 10 | 143H00110 | 9311744091089 | |
| 12 | | 150 | 10 | 143H00120 | 9311744091096 | |
| 13 | | 150 | 10 | 143H00130 | 9311744091102 | |
| 14 | | 150 | 10 | 143H00140 | 9311744091119 | |
| 16 | Black | 150 | 12.7 | 143H00160 | 9311744091126 | |
| 20 | | 160 | 12.7 | 143H00200 | 9311744091133 | |
| 22 | | 160 | 12.7 | 143H00220 | 9311744091140 | |
| 25 | | 160 | 12.7 | 143H00250 | 9311744091157 | |
| Double Brick | | | | | | |
| 6.5 | | 400 | | 145H00065 | 9311744092017 | |
| 8.0 | | 400 | | 145H00080 | 9311744092024 | |
| 10 | | 400 | | 145H00100 | 9311744092031 | |
| 13 | | 400 | 10 | 145H00130 | 9311744092048 | |
| 16 | | 400 | 12.7 | 145H00160 | 9311744092055 | |
| 20 | | 400 | 12.7 | 145H00200 | 9311744092062 | |
| 22 | | 400 | 12.7 | 145H00220 | 9311744092079 | |
| 25 | | 400 | 12.7 | 145H00250 | 9311744092086 | |

*Not available once current stock is depleted.

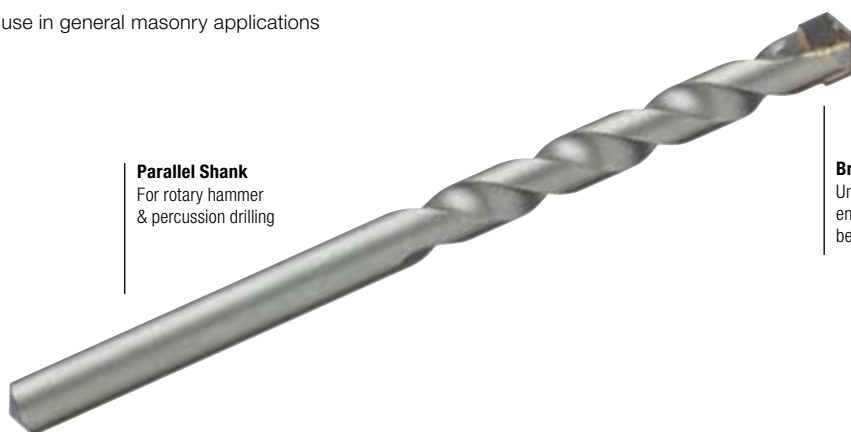


DIY quality for use in general masonry applications

TCT Point
Carbide tip with two cutting edges

Parallel Shank
For rotary hammer & percussion drilling

Brazed Tip
Unique brazing process ensures a perfect bond between tip & body



| Sizes | Piece | Order Qty | Item # | Barcode | Price |
|---|-------|-----------|-----------|---------------|-------|
| Masonry Drill Sets (A0604) | | | | | |
| 3, 4, 5, 6, 6.5, 8, 9 & 10mm | 8 | 1 | 92266 | 9312621922663 | |
| 4, 5, 6, 6.5, 8, 10 & 12mm | 7 | 1 | 92356 | 9312621923561 | |
| Combination D9C Set (A1202) | | | | | |
| 4 masonry & 5 HSS drill bits | 9 | 10 | 394098005 | 9311963335049 | |
| Masonry Drill & Chisel SDS Set (A0606) | | | | | |
| 12 masonry, 3 x flat chisels & 2 x Point chisels | 17 | 1 | 92346 | 9312621923462 | |



92346



92356



394098005



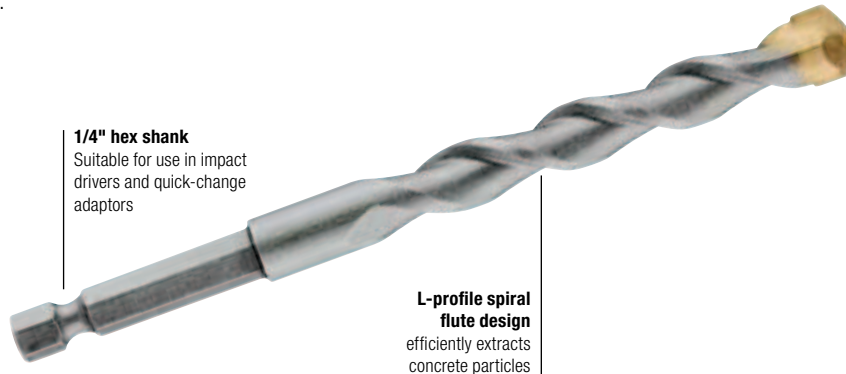
92266

Drills Masonry – Impact

suttontools

SUPABIT
EXTREME IMPACT

Supabits are developed for use with the high torque output of an impact driver. Suitable for use in natural and artificial stone, brickwork, concrete & masonry materials.



1/4" hex shank
Suitable for use in impact drivers and quick-change adaptors

L-profile spiral flute design
efficiently extracts concrete particles

Positively sharpened
Carbide tip with 2 cutting edges

Application

DIY
Trade
Electrician
Plumber
Carpenter
Plasterer
Masonry

Discount Group: A0608

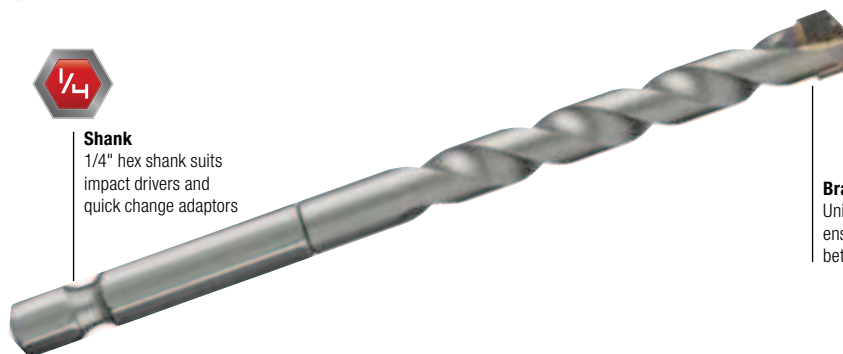
| Diameter | Plug Colour | O/A Length | Flute Length | Shank Size | Item # | Barcode | Price |
|-------------|-------------|------------|--------------|------------|-----------|---------------|-------|
| D609 | | | | | | | |
| 3.0 | Yellow | 80 | 3 | 1/4 | D609 0300 | 9311963600697 | |
| 4.0 | | 90 | 4 | 1/4 | D609 0400 | 9311963600703 | |
| 5.0 | White | 100 | 3.5 | 1/4 | D609 0500 | 9311963600710 | |
| 6.0 | Red | 110 | 6 | 1/4 | D609 0600 | 9311963600727 | |
| 8.0 | Blue | 120 | 7 | 1/4 | D609 0800 | 9311963600734 | |
| 10 | Orange | 120 | 7.3 | 1/4 | D609 1000 | 9311963600741 | |

Drills Masonry – Impact

FN

QUICKBITS
IMPACT READY

Ideal for use in general masonry applications including bricks, tiles & concrete.



Shank
1/4" hex shank suits impact drivers and quick change adaptors

TCT Point
Carbide tip with two cutting edges

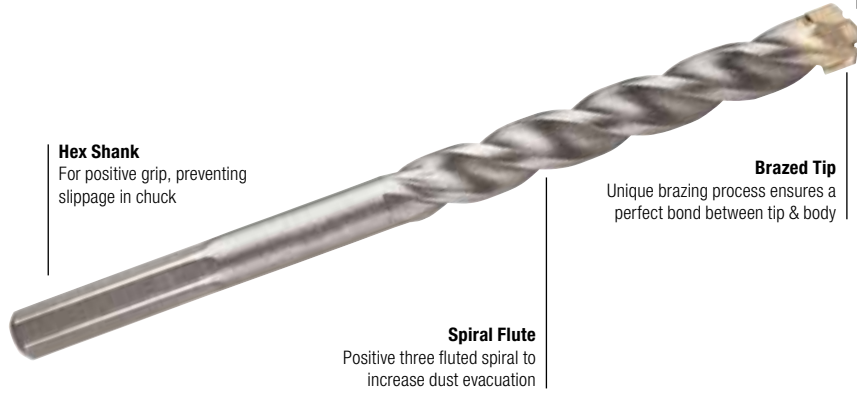
Brazed Tip
Unique brazing process ensures a perfect bond between tip & body

Discount Group: A0424

| Size | Plug Colour | O/A Length | Flute Length | Shank Size | Pieces | Item # | Barcode | Price |
|------------------------------|-------------|------------|--------------|------------|--------|-----------|---------------|-------|
| Masonry Drill Bit | | | | | | | | |
| 3.0 | Yellow | 60 | 30 | 1/4 | 1 | 107B22030 | 9311744440078 | |
| 4.0 | | 75 | 35 | 1/4 | 1 | 107B22040 | 9311744440085 | |
| 5.0 | White | 85 | 43 | 1/4 | 1 | 107B22050 | 9311744440092 | |
| 6.0 | Red | 100 | 47 | 1/4 | 1 | 107B22060 | 9311744440108 | |
| 6.5 | Green | 100 | 47 | 1/4 | 1 | 107B22065 | 9311744440115 | |
| 8.0 | Blue | 120 | 64 | 1/4 | 1 | 107B22080 | 9311744440122 | |
| 10 | Orange | 120 | 64 | 1/4 | 1 | 107B22100 | 9311744440139 | |
| Masonry Drill Bit Set | | | | | | | | |
| 3.0, 5.0, 6.0, 6.5, 8.0mm | | | | | 5 | 107B2SET5 | 9311744441945 | |



Professional quality for tougher masonry applications. Combining excellent power transfer and efficiency. For concrete, brick, aerated concrete, hollow brick & plaster block.



Hex Shank
For positive grip, preventing slippage in chuck

Spiral Flute
Positive three fluted spiral to increase dust evacuation

TCT Point
Three cutting edges, monobloc carbide tip for clean holes and superior fixing

Brazed Tip
Unique brazing process ensures a perfect bond between tip & body

Application

- DIY
- Trade
- Electrician
- Plumber
- Carpenter
- Plasterer
- Masonry

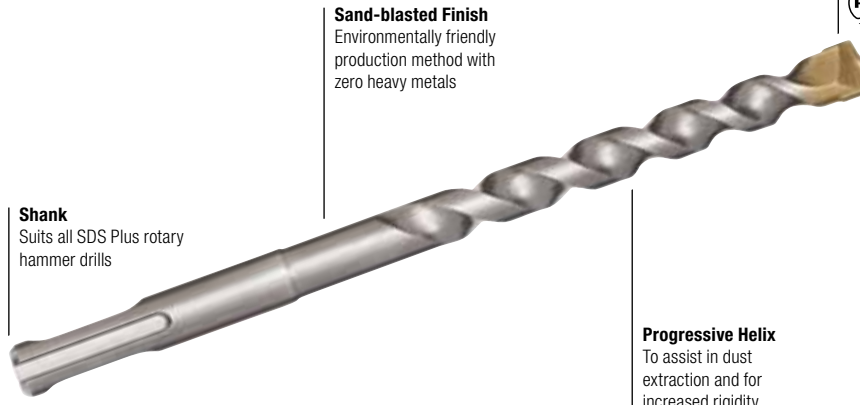
Discount Group: A0608

| Diameter | Plug Colour | O/A Length | Shank | Item # | Barcode | Price |
|----------|-------------|------------|-------|-----------|---------------|-------|
| | | | | | D606 | |
| 5.0 | White | 150 | Hex | D606 0500 | 9311963551432 | |
| 6.0 | Red | 150 | Hex | D606 0600 | 9311963551449 | |
| 6.5 | Green | 150 | Hex | D606 0650 | 9311963551456 | |
| 8.0 | Blue | 150 | Hex | D606 0800 | 9311963551463 | |
| 10 | Orange | 150 | Hex | D606 1000 | 9311963551470 | |
| 12 | Grey | 150 | Hex | D606 1200 | 9311963551487 | |
| 13 | | 150 | Hex | D606 1300 | 9311963551494 | |
| | | | | | | |
| | | | | | | |
| | | | | | | |
| | | | | | | |
| | | | | | | |
| | | | | | | |
| | | | | | | |
| | | | | | | |
| | | | | | | |
| | | | | | | |
| | | | | | | |
| | | | | | | |
| | | | | | | |

suttontools **RUNNER+**

Tradesman quality ideal for use in concrete, brick, aerated concrete, stone & granite.

Concrete Breaker TCT
160° self centering tip, maximises chiselling effect and breaking of the concrete



Shank
Suits all SDS Plus rotary hammer drills

Sand-blasted Finish
Environmentally friendly production method with zero heavy metals

Progressive Helix
To assist in dust extraction and for increased rigidity

Application

- DIY
- Trade
- Electrician
- Plumber
- Carpenter
- Plasterer
- Masonry

Discount Group: A0608

| Diameter | Plug Colour | O/A Length | Shank | Pieces | Item # | Barcode | Price |
|----------------------|-------------|------------|----------|--------|-------------|---------------|-------|
| Short Series | | | | | D620 | | |
| 5.0 | White | 110 | SDS Plus | 1 | D620 0500 | 9311963441993 | |
| 6.0 | Red | 110 | SDS Plus | 1 | D620 0600 | 9311963442006 | |
| 6.5 | Green | 110 | SDS Plus | 1 | D620 0650 | 9311963442013 | |
| 8.0 | Blue | 110 | SDS Plus | 1 | D620 0800 | 9311963442020 | |
| Medium Series | | | | | D621 | | |
| 5.0 | White | 160 | SDS Plus | 1 | D621 0500 | 9311963442037 | |
| 6.0 | Red | 160 | SDS Plus | 1 | D621 0600 | 9311963442044 | |
| 6.5 | Green | 160 | SDS Plus | 1 | D621 0650 | 9311963442051 | |
| 8.0 | Blue | 160 | SDS Plus | 1 | D621 0800 | 9311963442068 | |
| 10 | Orange | 160 | SDS Plus | 1 | D621 1000 | 9311963442075 | |
| 12 | Grey | 160 | SDS Plus | 1 | D621 1200 | 9311963442082 | |
| 13 | | 160 | SDS Plus | 1 | D621 1300 | 9311963442099 | |
| 14 | | 160 | SDS Plus | 1 | D621 1400 | 9311963442105 | |
| Long Series | | | | | D622 | | |
| 6.0 | | 210 | SDS Plus | 1 | D622 0600 | 9311963442112 | |
| 6.5 | | 210 | SDS Plus | 1 | D622 0650 | 9311963442129 | |
| 8.0 | | 210 | SDS Plus | 1 | D622 0800 | 9311963442136 | |
| 10 | | 210 | SDS Plus | 1 | D622 1000 | 9311963442143 | |
| 12 | | 210 | SDS Plus | 1 | D622 1200 | 9311963442150 | |
| 14 | | 210 | SDS Plus | 1 | D622 1400 | 9311963442167 | |
| 16 | Black | 210 | SDS Plus | 1 | D622 1600 | 9311963442174 | |
| Sets | | | | | | | |
| 6.0, 8.0, 10, 12mm | | 160 | SDS Plus | 4 | D621 0004 | 9311963591995 | |



The PGM standard (PGM stands for "Prüfgemeinschaft Mauerbohrer" – drill bit testing) is the only guarantee of a perfect geometry for the precise drilling and preferred setting of your anchor studs. It is recommended to use only drill bits with this marking for anchor fixings to prevent accidents and liability cases.

suttontools

@twister
multi-fit

Professional quality, 30% faster than conventional SDS drills.
For concrete, brick, aerated concrete, stone & granite.

Patented Destructor Carbide Tip

Aggressive Z-shape self centering point with wavy cutting edges for superior destruction capacity



Sand-blasted Finish
Environmentally friendly production method with zero heavy metals

Multi-fit Shank
Suits ALL SDS Plus rotary hammer drills



Combination Spiral Flute
Half-round spiral accelerates dust extraction away from tip
Square spiral combines compression channel with a depression chamber for perfectly controlled dust removal

Application

- DIY
- Trade
- Professional
- Electrician
- Plumber
- Carpenter
- Plasterer
- Masonry

Discount Group: A0608

| Diameter | O/A Length | Flute Length | Shank | Item # | Barcode | Price |
|-----------------------------|------------|--------------|----------|-------------|---------------|-------|
| 110mm overall length | | | | D612 | | |
| 5.0 | 110 | 50 | SDS Plus | D612 0500 | 9311963152189 | |
| 5.5 | 110 | 50 | SDS Plus | D612 0550 | 9311963152196 | |
| 6.0 | 110 | 50 | SDS Plus | D612 0600 | 9311963152202 | |
| 6.5 | 110 | 50 | SDS Plus | D612 0650 | 9311963152219 | |
| 7.0 | 110 | 50 | SDS Plus | D612 0700 | 9311963152226 | |
| 8.0 | 110 | 50 | SDS Plus | D612 0800 | 9311963152233 | |
| 10 | 110 | 50 | SDS Plus | D612 1000 | 9311963152257 | |
| 160mm overall length | | | | D613 | | |
| 5.0 | 160 | 90 | SDS Plus | D613 0500 | 9311963152264 | |
| 5.5 | 160 | 90 | SDS Plus | D613 0550 | 9311963152271 | |
| 6.0 | 160 | 90 | SDS Plus | D613 0600 | 9311963152288 | |
| 6.5 | 160 | 90 | SDS Plus | D613 0650 | 9311963152295 | |
| 7.0 | 160 | 90 | SDS Plus | D613 0700 | 9311963152301 | |
| 8.0 | 160 | 90 | SDS Plus | D613 0800 | 9311963152318 | |
| 10 | 160 | 90 | SDS Plus | D613 1000 | 9311963152332 | |
| 12 | 160 | 90 | SDS Plus | D613 1200 | 9311963152356 | |
| 13 | 160 | 90 | SDS Plus | D613 1300 | 9311963152363 | |
| 14 | 160 | 90 | SDS Plus | D613 1400 | 9311963152370 | |
| 16 | 160 | 90 | SDS Plus | D613 1600 | 9311963152394 | |
| 210mm overall length | | | | D614 | | |
| 6.0 | 210 | 150 | SDS Plus | D614 0600 | 9311963152400 | |
| 6.5 | 210 | 150 | SDS Plus | D614 0650 | 9311963152417 | |
| 8.0 | 210 | 150 | SDS Plus | D614 0800 | 9311963152431 | |
| 10 | 210 | 150 | SDS Plus | D614 1000 | 9311963152455 | |
| 12 | 210 | 150 | SDS Plus | D614 1200 | 9311963152479 | |
| 13 | 210 | 150 | SDS Plus | D614 1300 | 9311963152486 | |
| 14 | 210 | 150 | SDS Plus | D614 1400 | 9311963152493 | |
| 16 | 210 | 150 | SDS Plus | D614 1600 | 9311963152516 | |
| 18 | 210 | 150 | SDS Plus | D614 1800 | 9311963152523 | |
| 20 | 210 | 150 | SDS Plus | D614 2000 | 9311963152530 | |

| Diameter | O/A Length | Flute Length | Shank | Item # | Barcode | Price |
|-----------------------------|------------|--------------|----------|-------------|---------------|-------|
| 260mm overall length | | | | D615 | | |
| 10 | 260 | 200 | SDS Plus | D615 1000 | 9311963152592 | |
| 12 | 260 | 200 | SDS Plus | D615 1200 | 9311963152615 | |
| 13 | 260 | 200 | SDS Plus | D615 1300 | 9311963152622 | |
| 14 | 260 | 200 | SDS Plus | D615 1400 | 9311963152639 | |
| 16 | 260 | 200 | SDS Plus | D615 1600 | 9311963152653 | |
| 20 | 260 | 200 | SDS Plus | D615 2000 | 9311963152684 | |
| 22 | 260 | 200 | SDS Plus | D615 2200 | 9311963152691 | |
| 24 | 260 | 200 | SDS Plus | D615 2400 | 9311963152707 | |
| 25 | 260 | 200 | SDS Plus | D615 2500 | 9311963152714 | |
| 410mm overall length | | | | D616 | | |
| 10 | 410 | 350 | SDS Plus | D616 1000 | 9311963152745 | |
| 12 | 410 | 350 | SDS Plus | D616 1200 | 9311963152769 | |
| 13 | 410 | 350 | SDS Plus | D616 1300 | 9311963152776 | |
| 16 | 410 | 350 | SDS Plus | D616 1600 | 9311963152806 | |
| 20 | 410 | 350 | SDS Plus | D616 2000 | 9311963152820 | |
| 22 | 410 | 350 | SDS Plus | D616 2200 | 9311963152837 | |
| 25 | 410 | 350 | SDS Plus | D616 2500 | 9311963152851 | |
| Set | | | | | | |
| 6,8,10,12 | 160 | 90 | SDS Plus | D613 0004 | 9311963591971 | |



The PGM standard (PGM stands for "Prüfgemeinschaft Mauerbohrer" – drill bit testing) is the only guarantee of a perfect geometry for the precise drilling and preferred setting of your anchor studs. It is recommended to use only drill bits with this marking for anchor fixings to prevent accidents and liability cases.

suttontools

#booster
multi-fit

Professional quality, 30% faster than conventional SDS drills. Will drill through reinforced concrete mesh.

Unique TCT

Three cutting edge self centering tip prevents snagging on reinforced mesh



Sand-blasted Finish

Environmentally friendly production method with zero heavy metals

Multi-fit Shank

Suits ALL SDS Plus rotary hammer drills



Combination Spiral Flute

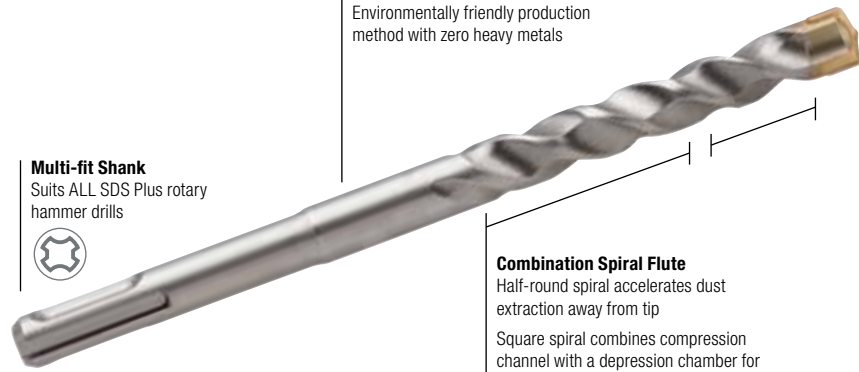
Half-round spiral accelerates dust extraction away from tip

Square spiral combines compression channel with a depression chamber for perfectly controlled dust removal



Application

- DIY
- Trade
- Professional
- Electrician
- Plumber
- Carpenter
- Plasterer
- Masonry



Discount Group: A0608

| Diameter | O/A Length | Flute Length | Shank | Pieces | Item # | Barcode | Price |
|-----------------------------|------------|--------------|----------|--------|-------------|---------------|-------|
| 160mm overall length | | | | | D623 | | |
| 6.0 | 160 | 100 | SDS Plus | | D623 0600 | 9311963585406 | |
| 6.5 | 160 | 100 | SDS Plus | | D623 0650 | 9311963585413 | |
| 8.0 | 160 | 100 | SDS Plus | | D623 0800 | 9311963585420 | |
| 10 | 160 | 100 | SDS Plus | | D623 1000 | 9311963585437 | |
| 12 | 160 | 100 | SDS Plus | | D623 1200 | 9311963585444 | |
| 13 | 160 | 100 | SDS Plus | | D623 1300 | 9311963585451 | |
| 210mm overall length | | | | | D624 | | |
| 6.0 | 210 | 150 | SDS Plus | | D624 0600 | 9311963585468 | |
| 6.5 | 210 | 150 | SDS Plus | | D624 0650 | 9311963585475 | |
| 8.0 | 210 | 150 | SDS Plus | | D624 0800 | 9311963585482 | |
| 10 | 210 | 150 | SDS Plus | | D624 1000 | 9311963585499 | |
| 12 | 210 | 150 | SDS Plus | | D624 1200 | 9311963585505 | |
| 13 | 210 | 150 | SDS Plus | | D624 1300 | 9311963585512 | |
| 14 | 210 | 150 | SDS Plus | | D624 1400 | 9311963585529 | |
| 16 | 210 | 150 | SDS Plus | | D624 1600 | 9311963585536 | |
| 18 | 210 | 150 | SDS Plus | | D624 1800 | 9311963585543 | |
| 310mm overall length | | | | | D625 | | |
| 6.5 | 310 | 250 | SDS Plus | | D625 0650 | 9311963585550 | |
| 10 | 310 | 250 | SDS Plus | | D625 1000 | 9311963585567 | |
| 12 | 310 | 250 | SDS Plus | | D625 1200 | 9311963585574 | |
| 14 | 310 | 250 | SDS Plus | | D625 1400 | 9311963585581 | |
| 16 | 310 | 250 | SDS Plus | | D625 1600 | 9311963585598 | |
| 18 | 310 | 250 | SDS Plus | | D625 1800 | 9311963585604 | |
| 20 | 310 | 250 | SDS Plus | | D625 2000 | 9311963585611 | |
| 460mm overall length | | | | | D626 | | |
| 16 | 460 | 400 | SDS Plus | | D626 1600 | 9311963585628 | |
| 20 | 460 | 400 | SDS Plus | | D626 2000 | 9311963585635 | |
| Set | | | | | | | |
| 6, 8, 10, 12 | 160 | 100 | SDS Plus | 4 | D623 0004 | 9311963591988 | |



The PGM standard (PGM stands for "Prüfgemeinschaft Mauerbohrer" – drill bit testing) is the only guarantee of a perfect geometry for the precise drilling and preferred setting of your anchor studs. It is recommended to use only drill bits with this marking for anchor fixings to prevent accidents and liability cases.

Drills Masonry SDS Plus – Twister Plus



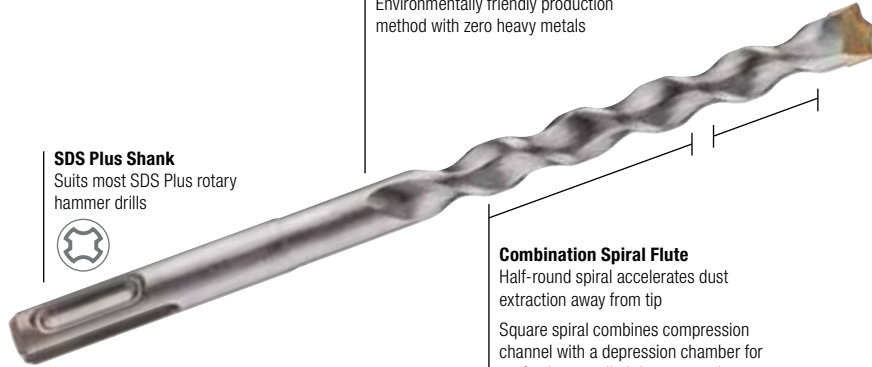
Professional quality, 30% faster than conventional SDS drills.
For concrete, brick, aerated concrete, stone & granite.



SDS Plus Shank
Suits most SDS Plus rotary hammer drills



Sand-blasted Finish
Environmentally friendly production method with zero heavy metals



Combination Spiral Flute
Half-round spiral accelerates dust extraction away from tip
Square spiral combines compression channel with a depression chamber for perfectly controlled dust removal

Patented Destructor Carbide Tip
Aggressive Z-shape self centering point with wavy cutting edges for superior destruction capacity



Application

- DIY
- Trade
- Professional
- Electrician
- Plumber
- Carpenter
- Plasterer
- Masonry

Discount Group: A0608

| Diameter | O/A Length | Flute Length | Shank | Item # | Barcode | Price |
|-----------------------------|------------|--------------|----------|--------|---------------|-------|
| 110mm overall length | | | | | | |
| 5.0 | 110 | 50 | SDS Plus | 008366 | 3336600008366 | |
| 5.5 | 110 | 50 | SDS Plus | 023253 | 3336600023253 | |
| 6.0 | 110 | 50 | SDS Plus | 008373 | 3336600008373 | |
| 6.5 | 110 | 50 | SDS Plus | 023260 | 3336600023260 | |
| 8.0 | 110 | 50 | SDS Plus | 008397 | 3336600008397 | |
| 10.0 | 110 | 50 | SDS Plus | 008403 | 3336600008403 | |
| 160mm overall length | | | | | | |
| 5.0 | 160 | 100 | SDS Plus | 008410 | 3336600008410 | |
| 5.5 | 160 | 100 | SDS Plus | 023277 | 3336600023277 | |
| 6.0 | 160 | 100 | SDS Plus | 008427 | 3336600008427 | |
| 6.5 | 160 | 100 | SDS Plus | 020849 | 3336600020849 | |
| 7.0 | 160 | 100 | SDS Plus | 008434 | 3336600008434 | |
| 8.0 | 160 | 100 | SDS Plus | 008441 | 3336600008441 | |
| 9.0 | 160 | 100 | SDS Plus | 008458 | 3336600008458 | |
| 10.0 | 160 | 100 | SDS Plus | 008465 | 3336600008465 | |
| 11.0 | 160 | 100 | SDS Plus | 008472 | 3336600008472 | |
| 12.0 | 160 | 100 | SDS Plus | 008489 | 3336600008489 | |
| 13.0 | 160 | 100 | SDS Plus | 008496 | 3336600008496 | |
| 14.0 | 160 | 100 | SDS Plus | 008502 | 3336600008502 | |
| 15.0 | 160 | 100 | SDS Plus | 008519 | 3336600008519 | |
| 16.0 | 160 | 100 | SDS Plus | 008526 | 3336600008526 | |
| 210mm overall length | | | | | | |
| 6.0 | 210 | 150 | SDS Plus | 008533 | 3336600008533 | |
| 6.5 | 210 | 150 | SDS Plus | 020856 | 3336600020856 | |
| 8.0 | 210 | 150 | SDS Plus | 008540 | 3336600008540 | |
| 10.0 | 210 | 150 | SDS Plus | 008564 | 3336600008564 | |
| 12.0 | 210 | 150 | SDS Plus | 008571 | 3336600008571 | |
| 13.0 | 210 | 150 | SDS Plus | 008588 | 3336600008588 | |
| 14.0 | 210 | 150 | SDS Plus | 008595 | 3336600008595 | |
| 16.0 | 210 | 150 | SDS Plus | 008618 | 3336600008618 | |
| 18.0 | 210 | 150 | SDS Plus | 008625 | 3336600008625 | |
| 20.0 | 210 | 150 | SDS Plus | 008632 | 3336600008632 | |
| 22.0 | 210 | 150 | SDS Plus | 008649 | 3336600008649 | |
| 24.0 | 210 | 150 | SDS Plus | 014817 | 3336600014817 | |
| 25.0 | 210 | 150 | SDS Plus | 008656 | 3336600008656 | |
| 260mm overall length | | | | | | |
| 6.0 | 260 | 200 | SDS Plus | 008663 | 3336600008663 | |
| 6.5 | 260 | 200 | SDS Plus | 076389 | 3336600076389 | |
| 8.0 | 260 | 200 | SDS Plus | 008670 | 3336600008670 | |
| 10.0 | 260 | 200 | SDS Plus | 008687 | 3336600008687 | |
| 12.0 | 260 | 200 | SDS Plus | 008694 | 3336600008694 | |
| 13.0 | 260 | 200 | SDS Plus | 008700 | 3336600008700 | |
| 14.0 | 260 | 200 | SDS Plus | 008717 | 3336600008717 | |
| 16.0 | 260 | 200 | SDS Plus | 008731 | 3336600008731 | |
| 18.0 | 260 | 200 | SDS Plus | 008748 | 3336600008748 | |
| 20.0 | 260 | 200 | SDS Plus | 008755 | 3336600008755 | |
| 22.0 | 260 | 200 | SDS Plus | 008762 | 3336600008762 | |
| 24.0 | 260 | 200 | SDS Plus | 014824 | 3336600014824 | |
| 25.0 | 260 | 200 | SDS Plus | 008779 | 3336600008779 | |
| 310mm overall length | | | | | | |
| 6.0 | 310 | 250 | SDS Plus | 023291 | 3336600023291 | |
| 8.0 | 310 | 250 | SDS Plus | 023307 | 3336600023307 | |
| 10.0 | 310 | 250 | SDS Plus | 023314 | 3336600023314 | |

| Diameter | O/A Length | Flute Length | Shank | Item # | Barcode | Price |
|------------------------------|------------|--------------|----------|--------|---------------|-------|
| 12.0 | 310 | 250 | SDS Plus | 023321 | 3336600023321 | |
| 13.0 | 310 | 250 | SDS Plus | 054950 | 3336600054950 | |
| 14.0 | 310 | 250 | SDS Plus | 023338 | 3336600023338 | |
| 16.0 | 310 | 250 | SDS Plus | 023352 | 3336600023352 | |
| 18.0 | 310 | 250 | SDS Plus | 023369 | 3336600023369 | |
| 20.0 | 310 | 250 | SDS Plus | 023376 | 3336600023376 | |
| 22.0 | 310 | 250 | SDS Plus | 023383 | 3336600023383 | |
| 24.0 | 310 | 250 | SDS Plus | 023390 | 3336600023390 | |
| 25.0 | 310 | 250 | SDS Plus | 023406 | 3336600023406 | |
| 410mm overall length | | | | | | |
| 8.0 | 410 | 350 | SDS Plus | 008786 | 3336600008786 | |
| 10.0 | 410 | 350 | SDS Plus | 008793 | 3336600008793 | |
| 12.0 | 410 | 350 | SDS Plus | 008809 | 3336600008809 | |
| 13.0 | 410 | 350 | SDS Plus | 008816 | 3336600008816 | |
| 14.0 | 410 | 350 | SDS Plus | 008823 | 3336600008823 | |
| 16.0 | 410 | 350 | SDS Plus | 008847 | 3336600008847 | |
| 18.0 | 410 | 350 | SDS Plus | 008854 | 3336600008854 | |
| 20.0 | 410 | 350 | SDS Plus | 008878 | 3336600008878 | |
| 22.0 | 410 | 350 | SDS Plus | 008885 | 3336600008885 | |
| 24.0 | 410 | 350 | SDS Plus | 014831 | 3336600014831 | |
| 25.0 | 410 | 350 | SDS Plus | 008892 | 3336600008892 | |
| 460mm overall length | | | | | | |
| 8.0 | 460 | 400 | SDS Plus | 023413 | 3336600023413 | |
| 10.0 | 460 | 400 | SDS Plus | 023420 | 3336600023420 | |
| 12.0 | 460 | 400 | SDS Plus | 023437 | 3336600023437 | |
| 13.0 | 460 | 400 | SDS Plus | 023444 | 3336600023444 | |
| 14.0 | 460 | 400 | SDS Plus | 023451 | 3336600023451 | |
| 16.0 | 460 | 400 | SDS Plus | 023475 | 3336600023475 | |
| 18.0 | 460 | 400 | SDS Plus | 023482 | 3336600023482 | |
| 20.0 | 460 | 400 | SDS Plus | 023505 | 3336600023505 | |
| 22.0 | 460 | 400 | SDS Plus | 023512 | 3336600023512 | |
| 24.0 | 460 | 400 | SDS Plus | 023529 | 3336600023529 | |
| 25.0 | 460 | 400 | SDS Plus | 023536 | 3336600023536 | |
| 610mm overall length | | | | | | |
| 8.0 | 610 | 550 | SDS Plus | 008908 | 3336600008908 | |
| 10.0 | 610 | 550 | SDS Plus | 008915 | 3336600008915 | |
| 12.0 | 610 | 550 | SDS Plus | 008922 | 3336600008922 | |
| 14.0 | 610 | 550 | SDS Plus | 008946 | 3336600008946 | |
| 16.0 | 610 | 550 | SDS Plus | 008953 | 3336600008953 | |
| 18.0 | 610 | 550 | SDS Plus | 008960 | 3336600008960 | |
| 20.0 | 610 | 550 | SDS Plus | 008977 | 3336600008977 | |
| 22.0 | 610 | 550 | SDS Plus | 008984 | 3336600008984 | |
| 24.0 | 610 | 550 | SDS Plus | 027367 | 3336600027367 | |
| 25.0 | 610 | 550 | SDS Plus | 008991 | 3336600008991 | |
| 1000mm overall length | | | | | | |
| 8.0 | 1000 | 940 | SDS Plus | 009004 | 3336600009004 | |
| 10.0 | 1000 | 940 | SDS Plus | 009011 | 3336600009011 | |
| 12.0 | 1000 | 940 | SDS Plus | 009028 | 3336600009028 | |
| 14.0 | 1000 | 940 | SDS Plus | 009035 | 3336600009035 | |
| 16.0 | 1000 | 940 | SDS Plus | 009042 | 3336600009042 | |
| 18.0 | 1000 | 940 | SDS Plus | 009059 | 3336600009059 | |
| 20.0 | 1000 | 940 | SDS Plus | 009066 | 3336600009066 | |



PGM standards (PGM stands for "Prüfgemeinschaft Mauerbohrer" – drill bit testing) and is the only guarantee of a perfect geometry for the precise drilling and preferred setting of your anchor studs. It is recommended to use only drill bits with this marking for anchor fixings to prevent accidents and liability cases.

Drills Masonry SDS Plus – *Booster Plus*



Professional quality, 30% faster than conventional SDS drills. Will drill through reinforced concrete mesh.

Sand-blasted Finish

Environmentally friendly production method with zero heavy metals

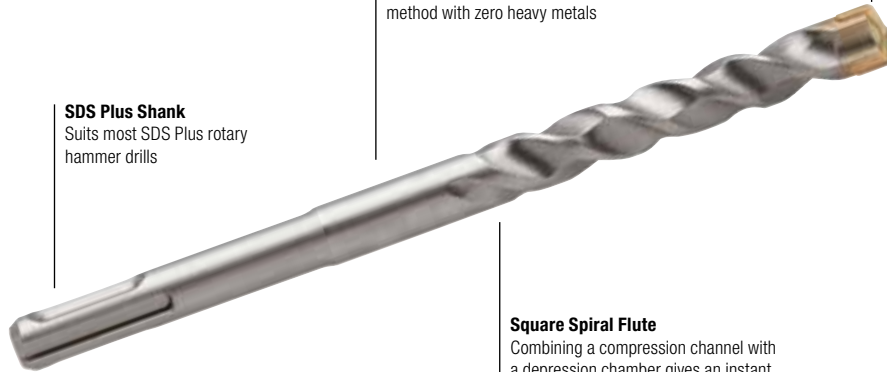
Unique TCT

Three cutting edge self centering tip prevents snagging on reinforced mesh



SDS Plus Shank

Suits most SDS Plus rotary hammer drills



Square Spiral Flute

Combining a compression channel with a depression chamber gives an instant result: perfectly controlled dust removal



Application

- DIY
- Trade
- Professional
- Electrician
- Plumber
- Carpenter
- Plasterer
- Masonry

Discount Group: A0608

| Diameter | O/A Length | Flute Length | Shank | Item # | Barcode | Price |
|-----------------------------|------------|--------------|----------|--------|---------------|-------|
| 110mm overall length | | | | | | |
| 6.0 | 110 | 50 | SDS Plus | 029385 | 3336600029385 | |
| 6.5 | 110 | 50 | SDS Plus | 051577 | 3336600051577 | |
| 8.0 | 110 | 50 | SDS Plus | 029392 | 3336600029392 | |
| 10.0 | 110 | 50 | SDS Plus | 055728 | 3336600055728 | |
| 160mm overall length | | | | | | |
| 6.0 | 160 | 100 | SDS Plus | 029408 | 3336600029408 | |
| 6.5 | 160 | 100 | SDS Plus | 051584 | 3336600051584 | |
| 8.0 | 160 | 100 | SDS Plus | 029415 | 3336600029415 | |
| 10.0 | 160 | 100 | SDS Plus | 029422 | 3336600029422 | |
| 12.0 | 160 | 100 | SDS Plus | 029439 | 3336600029439 | |
| 13.0 | 160 | 100 | SDS Plus | 093591 | 3336600093591 | |
| 14.0 | 160 | 100 | SDS Plus | 077911 | 3336600077911 | |
| 210mm overall length | | | | | | |
| 6.0 | 210 | 150 | SDS Plus | 029446 | 3336600029446 | |
| 6.5 | 210 | 150 | SDS Plus | 093607 | 3336600093607 | |
| 8.0 | 210 | 150 | SDS Plus | 029453 | 3336600029453 | |
| 10.0 | 210 | 150 | SDS Plus | 029460 | 3336600029460 | |
| 12.0 | 210 | 150 | SDS Plus | 029477 | 3336600029477 | |
| 13.0 | 210 | 150 | SDS Plus | 093638 | 3336600093638 | |
| 14.0 | 210 | 150 | SDS Plus | 077935 | 3336600077935 | |
| 16.0 | 210 | 150 | SDS Plus | 084155 | 3336600084155 | |
| 18.0 | 210 | 150 | SDS Plus | 084162 | 3336600084162 | |
| 20.0 | 210 | 150 | SDS Plus | 084179 | 3336600084179 | |

| Diameter | O/A Length | Flute Length | Shank | Item # | Barcode | Price |
|-----------------------------|------------|--------------|----------|--------|---------------|-------|
| 310mm overall length | | | | | | |
| 6.0 | 310 | 250 | SDS Plus | 084186 | 3336600084186 | |
| 6.5 | 310 | 250 | SDS Plus | 059443 | 3336600059443 | |
| 8.0 | 310 | 250 | SDS Plus | 029484 | 3336600029484 | |
| 10.0 | 310 | 250 | SDS Plus | 029491 | 3336600029491 | |
| 12.0 | 310 | 250 | SDS Plus | 029507 | 3336600029507 | |
| 14.0 | 310 | 250 | SDS Plus | 077959 | 3336600077959 | |
| 16.0 | 310 | 250 | SDS Plus | 054264 | 3336600054264 | |
| 18.0 | 310 | 250 | SDS Plus | 054271 | 3336600054271 | |
| 20.0 | 310 | 250 | SDS Plus | 054288 | 3336600054288 | |
| 460mm overall length | | | | | | |
| 8.0 | 460 | 400 | SDS Plus | 093034 | 3336600093034 | |
| 10.0 | 460 | 400 | SDS Plus | 054295 | 3336600054295 | |
| 12.0 | 460 | 400 | SDS Plus | 054301 | 3336600054301 | |
| 14.0 | 460 | 400 | SDS Plus | 054318 | 3336600054318 | |
| 16.0 | 460 | 400 | SDS Plus | 054325 | 3336600054325 | |
| 18.0 | 460 | 400 | SDS Plus | 054332 | 3336600054332 | |
| 20.0 | 460 | 400 | SDS Plus | 054349 | 3336600054349 | |

| Set | Contents | Case | Pieces | Item # | Barcode | Price |
|--------------------------|--|---------|--------|--------|---------------|-------|
| Booster Plus Sets | | | | | | |
| 104B | 6 & 8 x 110mm; 6, 8 & 10 x 160mm | Plastic | 5 | 075658 | 3336600075658 | |
| 113D | 6, 8 & 10 x 110mm; 6, 8, 10 & 12 x 160mm | Metal | 7 | 060876 | 3336600060876 | |
| Twister Plus Sets | | | | | | |
| 136C | 6 & 8 x 110mm; 6, 8 & 10 x 160mm | Plastic | 5 | 054202 | 3336600054202 | |
| 102C | 5, 6 & 8 x 110mm; 6, 8, 10 & 12 x 160mm | Plastic | 7 | 064904 | 3336600064904 | |



075658



054202

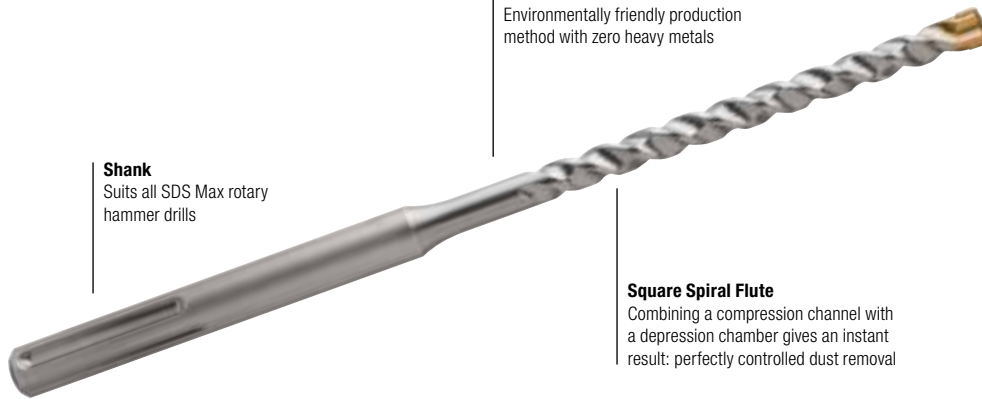


The PGM standard (PGM stands for "Prüfgemeinschaft Mauerbohrer" – drill bit testing) is the only guarantee of a perfect geometry for the precise drilling and preferred setting of your anchor studs. It is recommended to use only drill bits with this marking for anchor fixings to prevent accidents and liability cases.

Drills Masonry SDS Max – B3Max



Professional quality, 30% faster than conventional SDS drills.
Will drill through reinforced concrete mesh.



Shank
Suits all SDS Max rotary hammer drills

Sand-blasted Finish
Environmentally friendly production method with zero heavy metals

Square Spiral Flute
Combining a compression channel with a depression chamber gives an instant result: perfectly controlled dust removal

Unique TCT Tip
Three cutting edge self centering tip prevents snagging on reinforced mesh



Application

- Trade
- Professional
- Plumber
- Masonry

Discount Group: A0608

| Diameter | O/A Length | Flute Length | Shank | Item # | Barcode | Price |
|-----------------------------|------------|--------------|---------|--------|---------------|-------|
| 340mm overall length | | | | | | |
| 12.0 | 340 | 200 | SDS Max | 111806 | 3336600111806 | |
| 14.0 | 340 | 200 | SDS Max | 111820 | 3336600111820 | |
| 16.0 | 340 | 200 | SDS Max | 119383 | 3336600119383 | |
| 18.0 | 340 | 200 | SDS Max | 119390 | 3336600119390 | |
| 20.0 | 340 | 200 | SDS Max | 119406 | 3336600119406 | |
| 540mm overall length | | | | | | |
| 12.0 | 540 | 400 | SDS Max | 111813 | 3336600111813 | |
| 14.0 | 540 | 400 | SDS Max | 111837 | 3336600111837 | |
| 16.0 | 540 | 400 | SDS Max | 119413 | 3336600119413 | |
| 18.0 | 540 | 400 | SDS Max | 119420 | 3336600119420 | |
| 20.0 | 540 | 400 | SDS Max | 119437 | 3336600119437 | |



The PGM standard (PGM stands for "Prüfgemeinschaft Mauerbohrer" – drill bit testing) is the only guarantee of a perfect geometry for the precise drilling and preferred setting of your anchor studs. It is recommended to use only drill bits with this marking for anchor fixings to prevent accidents and liability cases.

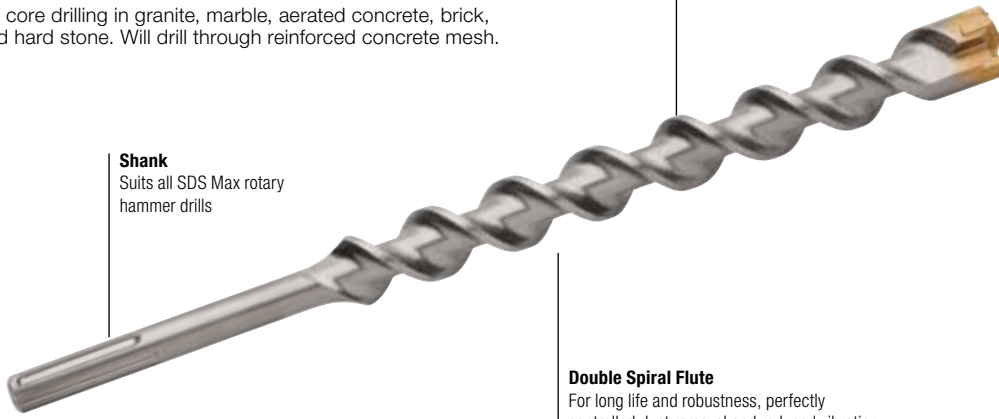
Drills Masonry SDS Max – Ultimax



For deep core drilling in granite, marble, aerated concrete, brick, stone and hard stone. Will drill through reinforced concrete mesh.



Shank
Suits all SDS Max rotary hammer drills



Sand-blasted Finish
Environmentally friendly production method with zero heavy metals

Six Cutting Edges
Self centering tip. Does not bind in concrete. Improved hole concentricity



Double Spiral Flute
For long life and robustness, perfectly controlled dust removal and reduced vibration

Application

- Trade
- Professional
- Plumber
- Masonry

Discount Group: A0608

| Diameter | O/A Length | Flute Length | Shank | Item # | Barcode | Price |
|-----------------------------|------------|--------------|---------|--------|---------------|-------|
| 340mm overall length | | | | | | |
| 16 | 340 | 200 | SDS Max | 004849 | 3336600004849 | |
| 18 | 340 | 200 | SDS Max | 004856 | 3336600004856 | |
| 20 | 340 | 200 | SDS Max | 004870 | 3336600004870 | |
| 22 | 340 | 200 | SDS Max | 004887 | 3336600004887 | |
| 24 | 340 | 200 | SDS Max | 004894 | 3336600004894 | |
| 25 | 340 | 200 | SDS Max | 004900 | 3336600004900 | |
| 26 | 340 | 200 | SDS Max | 004917 | 3336600004917 | |
| 28 | 340 | 200 | SDS Max | 068261 | 3336600068261 | |
| 30 | 340 | 200 | SDS Max | 028760 | 3336600028760 | |
| 32 | 340 | 200 | SDS Max | 068278 | 3336600068278 | |
| 36 | 340 | 200 | SDS Max | 063440 | 3336600063440 | |
| 38 | 340 | 200 | SDS Max | 063457 | 3336600063457 | |
| 40 | 340 | 200 | SDS Max | 063464 | 3336600063464 | |
| 42 | 340 | 200 | SDS Max | 063402 | 3336600063402 | |
| 45 | 340 | 200 | SDS Max | 063471 | 3336600063471 | |
| 540mm overall length | | | | | | |
| 16 | 540 | 400 | SDS Max | 004955 | 3336600004955 | |
| 18 | 540 | 400 | SDS Max | 005136 | 3336600005136 | |
| 20 | 540 | 400 | SDS Max | 005150 | 3336600005150 | |
| 22 | 540 | 400 | SDS Max | 005167 | 3336600005167 | |
| 24 | 540 | 400 | SDS Max | 005174 | 3336600005174 | |
| 25 | 540 | 400 | SDS Max | 005181 | 3336600005181 | |
| 26 | 540 | 400 | SDS Max | 005198 | 3336600005198 | |
| 28 | 540 | 400 | SDS Max | 005204 | 3336600005204 | |
| 30 | 540 | 400 | SDS Max | 005228 | 3336600005228 | |
| 32 | 540 | 400 | SDS Max | 005235 | 3336600005235 | |
| 36 | 540 | 400 | SDS Max | 005259 | 3336600005259 | |
| 38 | 540 | 400 | SDS Max | 023093 | 3336600023093 | |
| 40 | 540 | 400 | SDS Max | 023109 | 3336600023109 | |
| 42 | 540 | 400 | SDS Max | 023116 | 3336600023116 | |
| 45 | 540 | 400 | SDS Max | 063419 | 3336600063419 | |
| 690mm overall length | | | | | | |
| 16 | 690 | 550 | SDS Max | 005327 | 3336600005327 | |
| 18 | 690 | 550 | SDS Max | 005334 | 3336600005334 | |
| 20 | 690 | 550 | SDS Max | 005358 | 3336600005358 | |
| 22 | 690 | 550 | SDS Max | 005365 | 3336600005365 | |
| 24 | 690 | 550 | SDS Max | 005372 | 3336600005372 | |
| 25 | 690 | 550 | SDS Max | 005389 | 3336600005389 | |
| 26 | 690 | 550 | SDS Max | 005396 | 3336600005396 | |
| 28 | 690 | 550 | SDS Max | 005402 | 3336600005402 | |
| 30 | 690 | 550 | SDS Max | 005426 | 3336600005426 | |

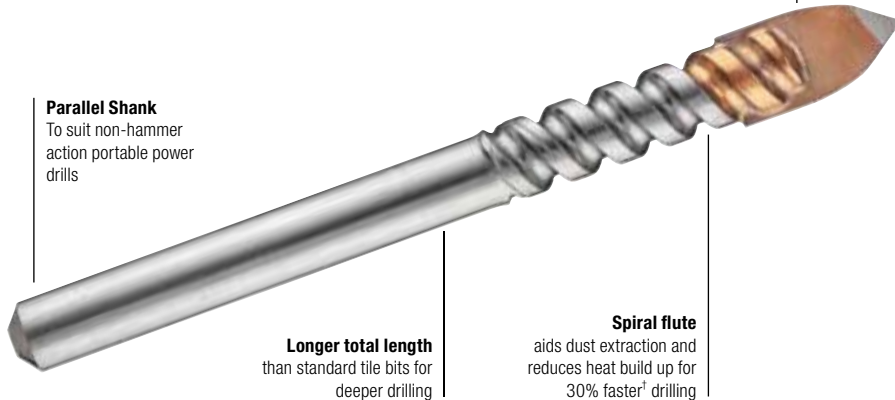
| Diameter | O/A Length | Flute Length | Shank | Item # | Barcode | Price |
|------------------------------|------------|--------------|---------|--------|---------------|-------|
| 32 | 690 | 550 | SDS Max | 005433 | 3336600005433 | |
| 36 | 690 | 550 | SDS Max | 005457 | 3336600005457 | |
| 38 | 690 | 550 | SDS Max | 028685 | 3336600028685 | |
| 40 | 690 | 550 | SDS Max | 028692 | 3336600028692 | |
| 42 | 690 | 550 | SDS Max | 063389 | 3336600063389 | |
| 45 | 690 | 550 | SDS Max | 063396 | 3336600063396 | |
| 920mm overall length | | | | | | |
| 16 | 920 | 780 | SDS Max | 005464 | 3336600005464 | |
| 18 | 920 | 780 | SDS Max | 005471 | 3336600005471 | |
| 20 | 920 | 780 | SDS Max | 005495 | 3336600005495 | |
| 22 | 920 | 780 | SDS Max | 005501 | 3336600005501 | |
| 24 | 920 | 780 | SDS Max | 005518 | 3336600005518 | |
| 25 | 920 | 780 | SDS Max | 005525 | 3336600005525 | |
| 28 | 920 | 780 | SDS Max | 005549 | 3336600005549 | |
| 30 | 920 | 780 | SDS Max | 005563 | 3336600005563 | |
| 32 | 920 | 780 | SDS Max | 005570 | 3336600005570 | |
| 36 | 920 | 780 | SDS Max | 005594 | 3336600005594 | |
| 40 | 920 | 780 | SDS Max | 005600 | 3336600005600 | |
| 42 | 920 | 780 | SDS Max | 021464 | 3336600021464 | |
| 45 | 920 | 780 | SDS Max | 024113 | 3336600024113 | |
| 1300mm overall length | | | | | | |
| 20 | 1300 | 850 | SDS Max | 063297 | 3336600063297 | |
| 22 | 1300 | 850 | SDS Max | 063303 | 3336600063303 | |
| 25 | 1300 | 850 | SDS Max | 068193 | 3336600068193 | |
| 28 | 1300 | 850 | SDS Max | 063310 | 3336600063310 | |
| 32 | 1300 | 850 | SDS Max | 028746 | 3336600028746 | |
| 35 | 1300 | 850 | SDS Max | 063327 | 3336600063327 | |
| 36 | 1300 | 850 | SDS Max | 063334 | 3336600063334 | |
| 42 | 1300 | 850 | SDS Max | 063341 | 3336600063341 | |
| 45 | 1300 | 850 | SDS Max | 063358 | 3336600063358 | |
| 1500mm overall length | | | | | | |
| 20 | 1500 | 850 | SDS Max | 024120 | 3336600024120 | |
| 24 | 1500 | 850 | SDS Max | 024137 | 3336600024137 | |
| 25 | 1500 | 850 | SDS Max | 037625 | 3336600037625 | |
| 28 | 1500 | 850 | SDS Max | 024144 | 3336600024144 | |
| 32 | 1500 | 850 | SDS Max | 024151 | 3336600024151 | |
| 36 | 1500 | 850 | SDS Max | 024168 | 3336600024168 | |
| 40 | 1500 | 850 | SDS Max | 063365 | 3336600063365 | |
| 42 | 1500 | 850 | SDS Max | 063372 | 3336600063372 | |
| 45 | 1500 | 850 | SDS Max | 027091 | 3336600027091 | |



The PGM standard (PGM stands for "Prüfgemeinschaft Mauerbohrer" – drill bit testing) is the only guarantee of a perfect geometry for the precise drilling and preferred setting of your anchor studs. It is recommended to use only drill bits with this marking for anchor fixings to prevent accidents and liability cases.

suttontools

For smooth drilling in ceramic tiles, glass, brick, plastics, and fibreglass.
 Note: Not suitable for toughened glass



Parallel Shank
 To suit non-hammer action portable power drills

Longer total length
 than standard tile bits for deeper drilling

Spiral flute
 aids dust extraction and reduces heat build up for 30% faster¹ drilling

Stronger carbide tip
 with copper brazing has better heat resistance and provides 7x longer life¹

4 facet diamond spear point design
 shaves rather than cuts for improved precision and penetration

Application

- DIY
- Trade
- Plumber
- Masonry

Discount Group: A0608

| Diameter | O/A Length | Item # | Barcode | Price |
|-------------|------------|-----------|---------------|-------|
| D604 | | | | |
| 3.0 | 80 | D604 0300 | 9311963169668 | |
| 4.0 | 80 | D604 0400 | 9311963169675 | |
| 5.0 | 80 | D604 0500 | 9311963169743 | |
| 6.0 | 80 | D604 0600 | 9311963169699 | |
| 6.5 | 100 | D604 0650 | 9311963411187 | |
| 8.0 | 100 | D604 0800 | 9311963169712 | |
| 10.0 | 100 | D604 1000 | 9311963169729 | |
| 12.0 | 100 | D604 1200 | 9311963169736 | |

RN[®]

For drilling holes in ceramic tiles, glass & mirrors. To be used at slow speed with non impact and suitable coolant.
 Note: Not suitable for toughened glass.



Parallel Shank
 To suit non-hammer action portable power drills

Precision Diamond Ground
 For exact pilot drilling

Spear Point
 Four edged tungsten carbide tip design, shaves rather than cuts

Discount Group: A0606

| Diameter | Item # | Barcode | Price |
|----------|-----------|---------------|-------|
| 3.0* | 148H01250 | 9311744093014 | |
| 4.0* | 148H01562 | 9311744093045 | |
| 5.0* | 148H01875 | 9311744093021 | |
| 6.0* | 148H02500 | 9311744093038 | |
| 6.5* | 148H02559 | 9311744435012 | |
| 8.0* | 7301148 | 9312621738059 | |
| 10.0* | 7301157 | 9312621738066 | |
| 12.0* | 7301175 | 9312621738073 | |

*Not available once current stock is depleted.
¹than standard glass & tile drills

Prices exclude GST

suttontools



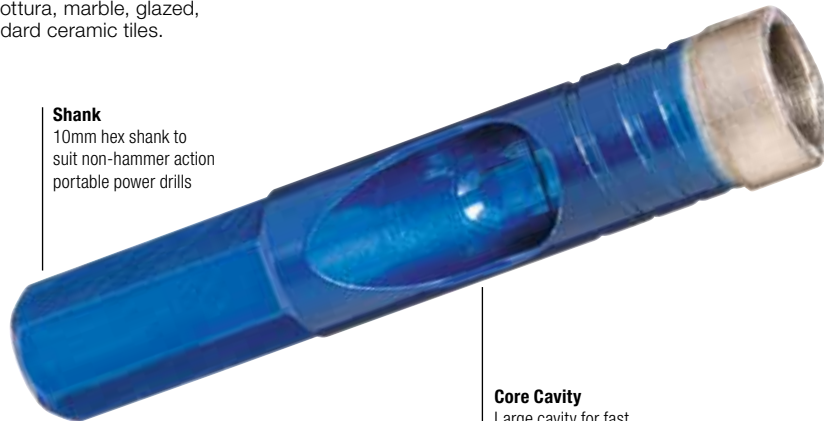
Feature diamond segment technology, enabling the bit to be used wet or dry.

For drilling porcelain, monocottura, marble, glazed, terracotta, sandstone & standard ceramic tiles.

Point
Diamond segment tip for long life. Can be dressed for optimal performance



Check out the demo



Shank
10mm hex shank to suit non-hammer action portable power drills

Core Cavity
Large cavity for fast material extraction



Application

- DIY
- Trade
- Plumber
- Masonry

Discount Group: A0608

| Diameter | Actual Hole Diameter* | Drilling Depth | Useful Length | O/A Length | Shank | Item # | Barcode | Price |
|--------------------------------|-----------------------|----------------|---------------|------------|----------|-----------|---------------|-------|
| D605 | | | | | | | | |
| 6.0 | 6.3 | 8 | 22 | 55 | 10mm Hex | D605 0600 | 9311963509914 | |
| 7.0 | 7.4 | 8 | 22 | 55 | 10mm Hex | D605 0700 | 9311963509921 | |
| 8.0 | 8.4 | 10 | 20 | 55 | 10mm Hex | D605 0800 | 9311963509938 | |
| 10.0 | 10.6 | 15 | 30 | 65 | 10mm Hex | D605 1000 | 9311963509945 | |
| 12.0 | 12.6 | 15 | 28 | 65 | 10mm Hex | D605 1200 | 9311963509952 | |
| 15.0 | 15.6 | 15 | 40 | 70 | 10mm Hex | D605 1500 | 9311963509969 | |
| 20.0 | 20.6 | 15 | 40 | 70 | 10mm Hex | D605 2000 | 9311963509976 | |
| 25.0 | 25.6 | 15 | 40 | 70 | 10mm Hex | D605 2500 | 9311963509983 | |
| Dressing Stone | | | | | | D605 ST01 | 9311963509990 | |
| Water Dripper (5-15mm) | | | | | | D605 WAT2 | 9311963556574 | |
| Water Dripper (20-25mm) | | | | | | D605 WAT3 | 9311963556581 | |

*Blue Ceram drills oversize to allow drilling and fixing into material below the surface without chipping the tile.

Instructions For Use



1
Water the drilling area. To avoid drill slipping start with a 45° angle.



2
After the hole is started gradually straighten up the drill.



3
Make a swinging movement to allow for dust evacuation.



4
Make sure the core has been removed from bit after drilling.



5
After heavy use, dress the tool using a Blue Ceram dressing stone.



BEFORE AFTER

Helpful Hints

- Do not use with hammer setting as this will damage the bit and tile
- Apply consistent pressure, allowing the tool to do the work
- Cutting speed with water <3000 RPM
- Dressing the bit will increase performance



Water Dripper

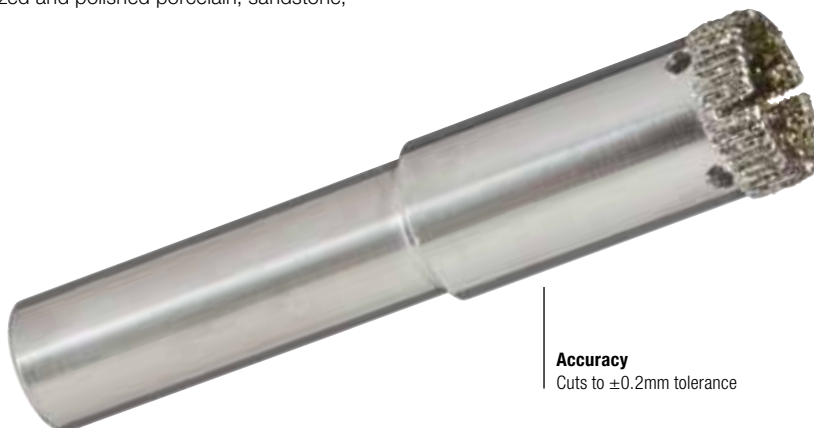
Core Bits Diamond



DIY Quality. Diamond Tile Core bits have diamond encrusting for wet drilling only. For drilling glazed and polished porcelain, sandstone, terracotta & ceramics.

Point

Diamond encrusted tip to cut through glazed & polished porcelain, sandstone, terracotta & ceramics



Accuracy

Cuts to $\pm 0.2\text{mm}$ tolerance

Application

DIY
Trade
Plumber
Masonry

Discount Group: A0606

| Diameter | Item # | Barcode | Price |
|---------------------------------|-----------|---------------|-------|
| 6 | 148010006 | 9311744435104 | |
| 8 | 148010008 | 9311744435111 | |
| 10 | 148010010 | 9311744435128 | |
| 12 | 148010012 | 9311744436811 | |
| 15 | 148010015 | 9311744436828 | |
| 20 | 148010020 | 9311744436835 | |
| 25 | 148010025 | 9311744436842 | |
| 30 | 148010030 | 9311744439256 | |
| 32 | 148010032 | 9311744439263 | |
| 35 | 148010035 | 9311744439270 | |
| 40 | 148010040 | 9311744439287 | |
| 50 | 148010050 | 9311744439294 | |
| 55 | 148010055 | 9311744439300 | |
| 65 | 148010065 | 9311744439317 | |
| 75 | 148010075 | 9311744439324 | |
| Sets | | | |
| 6pce 6, 8, 10, 12 & 15mm | 148010706 | 9311744439805 | |



148010706

Core Bits TCT – SDS Plus / SDS Max

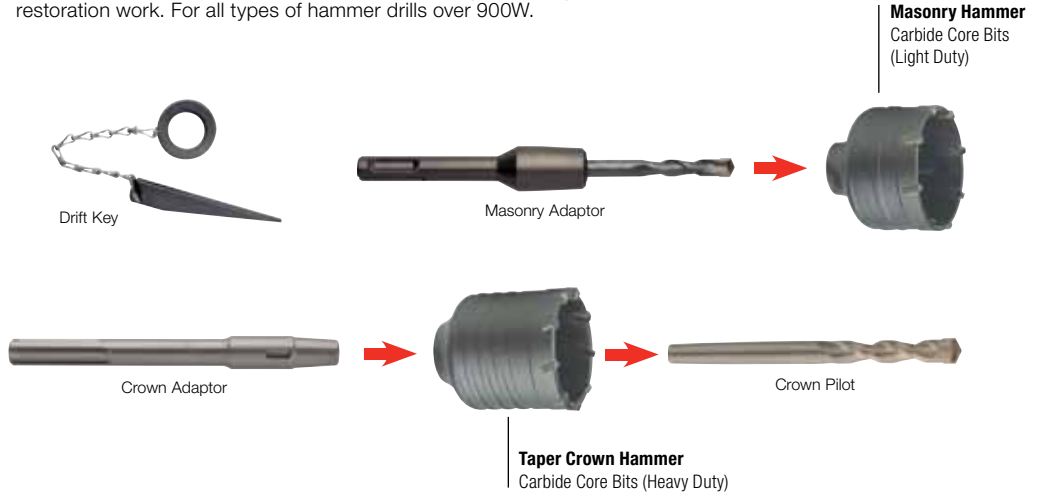


Core Bits SDS Plus

Light duty for electrical equipment and door frames. Core Bits drill bricks, limestone and Concrete panel. For rotary hammer drills not exceeding 700W.

Core Bits SDS Max

Heavy duty taper crown carbide core bit for building, plumbing and restoration work. For all types of hammer drills over 900W.



Discount Group: A0608

| Diameter | Working Length | Teeth | Shank | Item # | Barcode | Price |
|--|----------------|-------|-----------|--------|---------------|-------|
| Masonry Hammer Carbide Core Bits (Light Duty) | | | | | | |
| 25 | 60 | 5 | SDS Plus | 015937 | 3336600015937 | |
| 30 | 60 | 5 | SDS Plus | 015944 | 3336600015944 | |
| 35 | 60 | 5 | SDS Plus | 015951 | 3336600015951 | |
| 40 | 60 | 6 | SDS Plus | 015968 | 3336600015968 | |
| 45 | 60 | 6 | SDS Plus | 015975 | 3336600015975 | |
| 50 | 60 | 7 | SDS Plus | 015982 | 3336600015982 | |
| 60 | 60 | 8 | SDS Plus | 015999 | 3336600015999 | |
| 66 | 60 | 8 | SDS Plus | 016002 | 3336600016002 | |
| 68 | 60 | 8 | SDS Plus | 024250 | 3336600024250 | |
| 70 | 60 | 8 | SDS Plus | 016019 | 3336600016019 | |
| 80 | 60 | 9 | SDS Plus | 016026 | 3336600016026 | |
| 90 | 60 | 10 | SDS Plus | 016033 | 3336600016033 | |
| | | | | | | |
| | | | | | | |
| Masonry Adaptor (Including Pilot Drill) | | | | | | |
| 90 | | | SDS Plus | 063730 | 3336600063730 | |
| 150 | | | SDS Plus | 016057 | 3336600016057 | |
| 200 | | | SDS Plus | 016064 | 3336600016064 | |
| 300 | | | SDS Plus | 016071 | 3336600016071 | |
| 135 | | | Hexagonal | 063747 | 3336600063747 | |
| | | | | | | |
| | | | | | | |
| | | | | | | |

| Diameter | Working Length | Flute Length | Shank | Item # | Barcode | Price |
|--|----------------|--------------|---------|--------|---------------|-------|
| Taper Crown Hammer Carbide Core Bits (Heavy Duty) | | | | | | |
| 30 | 90 | 5 | SDS Max | 016088 | 3336600016088 | |
| 35 | 90 | 5 | SDS Max | 016095 | 3336600016095 | |
| 40 | 90 | 6 | SDS Max | 012745 | 3336600012745 | |
| 45 | 90 | 6 | SDS Max | 016101 | 3336600016101 | |
| 50 | 90 | 7 | SDS Max | 016118 | 3336600016118 | |
| 60 | 90 | 8 | SDS Max | 012752 | 3336600012752 | |
| 66 | 90 | 8 | SDS Max | 012769 | 3336600012769 | |
| 70 | 90 | 8 | SDS Max | 016125 | 3336600016125 | |
| 80 | 90 | 9 | SDS Max | 016132 | 3336600016132 | |
| 90 | 90 | 10 | SDS Max | 016149 | 3336600016149 | |
| 100 | 90 | 11 | SDS Max | 012776 | 3336600012776 | |
| 110 | 90 | 11 | SDS Max | 016156 | 3336600016156 | |
| 125 | 90 | 12 | SDS Max | 016163 | 3336600016163 | |
| | | | | | | |
| | | | | | | |
| Crown Adaptor (Excluding Pilot Drill) | | | | | | |
| 220 | | | SDS Max | 016194 | 3336600016194 | |
| 420 | | | SDS Max | 012790 | 3336600012790 | |
| 700 | | | SDS Max | 016200 | 3336600016200 | |
| 900 | | | SDS Max | 063969 | 3336600063969 | |
| | | | | | | |
| Crown Pilot Drill Taper centring drill bit | | | 11x120 | 012806 | 3336600012806 | |
| Drift Key | | | | 012813 | 3336600012813 | |

Note: Core bits & adaptors sold separately

www.suttontools.com

Prices exclude GST

Chisels SDS Plus / SDS Max



Sand-blasted Finish

Environmentally friendly production method with zero heavy metals. Made from high tensile steel. Specially toughened steel and optimum cutter geometry ensure long life and fast, efficient work.

Sand-blasted Finish

Environmentally friendly production method with zero heavy metals

Shank

Suits SDS Plus & SDS Max rotary hammer drills

Profile

Available in:
Pointed
Flat
Angle Head
Toothed
Brick Chasing
Concrete Chasing

Application

Demolition
DIY
Trade
Electrician
Plumber
Carpenter
Plasterer
General Contractor
Masonry
Renovation

Discount Group: A0608

| Type | Size | Flute Length | Shank | Item # | Barcode | Price |
|-------------------|------|--------------|----------|--------|---------------|-------|
| SDS-Plus | | | | | | |
| Pointed (Helical) | 14 | 250 | SDS Plus | 022171 | 3336600022171 | |
| Flat | 20 | 250 | SDS Plus | 063518 | 3336600063518 | |
| | 40 | 200 | SDS Plus | 063525 | 3336600063525 | |
| Angled | 40 | 200 | SDS Plus | 063648 | 3336600063648 | |
| Concrete Chasing | 22 | 250 | SDS Plus | 063686 | 3336600063686 | |
| SDS-Max | | | | | | |
| Pointed (Helical) | 18 | 280 | SDS Max | 063488 | 3336600063488 | |
| | 18 | 400 | SDS Max | 061521 | 3336600061521 | |
| | 18 | 600 | SDS Max | 063495 | 3336600063495 | |
| Flat | 24 | 280 | SDS Max | 063549 | 3336600063549 | |
| | 24 | 400 | SDS Max | 061514 | 3336600061514 | |
| | 24 | 600 | SDS Max | 075368 | 3336600075368 | |
| | 50 | 360 | SDS Max | 063556 | 3336600063556 | |
| | 80 | 300 | SDS Max | 063563 | 3336600063563 | |
| | 115 | 350 | SDS Max | 063570 | 3336600063570 | |
| Angled | 50 | 300 | SDS Max | 063655 | 3336600063655 | |
| Toothed | 40 | 280 | SDS Max | 063662 | 3336600063662 | |
| Brick Chasing | 35 | 380 | SDS Max | 063716 | 3336600063716 | |
| Concrete Chasing | 26 | 300 | SDS Max | 063693 | 3336600063693 | |



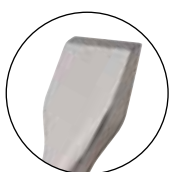
Pointed (Helical)

For general purpose chiselling and breaking work.



Flat

Targeted chiselling and breaking work.



Angle Head

For easy removal of tiles.



Toothed

Tungsten carbide tipped for repointing, removing bricks, tiles and plaster.



Brick Chasing

Ideal for cabling and plumbing applications.



Concrete Chasing

For cutting narrow channels.

Shanks

Parallel / Plain Shank



The straight shank is the most usual style on modern drill bits, by number manufactured. It is most often made with the same diameter as the drill bit, for economy. It's then held in a 3-jaw drill chuck. Very small bits can have straight shanks larger than the drill diameter, often for holding in a standard size collet. Large drill bits can have straight shanks smaller than their drill diameter, so that medium-size chucks can be used to drill large holes. Such a drill bit is called reduced-shank or a blacksmith's drill.



- Can be held in a collet chuck
- Can be held in a drill chuck, the commonest sort
- Very accurate centering
- Low torque transmission

Hex shank



The flats of a hex shank can either be machined on a round shank or can be the natural flats of hex bar stock. A hex shank can be grasped by a 3-jaw drill chuck, or can be held in a custom chuck specifically for hex shanks. 1/4 inch hex shanks are common for machine screwdriver bits, and have spread from that application to be used for drill bits that are compatible with screwdriver machinery.

- Can be held in a drill chuck
- Can be held in a screwdriver bit chuck
- High torque transmission
- Moderately accurate centring
- Cannot be held in a collet

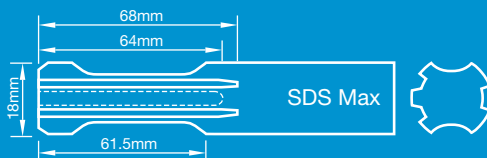
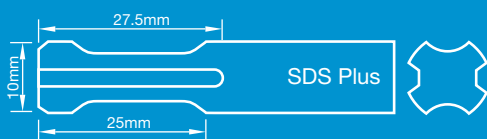
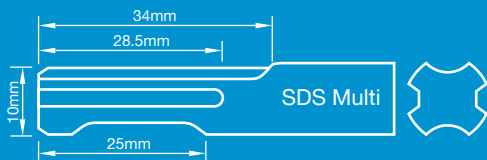
SDS shank



The SDS shank has the advantage of a simple spring-loaded chuck, so that bits can be chucked with a simple and quick hand action. Further, the shank and chuck are uniquely suited to hammer drilling in stone and concrete. The drill bit is not held solidly in the chuck, but can slide back and forth like a piston. The hammer of the drill acts to accelerate only the drill bit itself, and not the large mass of the chuck, which makes hammer drilling with an SDS shank drill bit much more productive than with other types of shank. So, SDS shanks are most often seen on masonry drills for which hammer drilling action is most helpful.



SDS is available in four sizes, SDS, SDS plus (or SDS-plus or SDS+), SDS-Top and SDS-max. SDS-plus is the most common by count of tools manufactured, with masonry drills from 5mm diameter to 30mm diameter ordinarily available.



The SDS bit was developed in 1975 and the name comes from the German saying “Steck – Dreh – Sitz” (Insert – Twist – Stay).

German-speaking countries may use “Spannen Durch System” (Clamping System), though most use “Special Direct System” for international purposes.

- Superb hammer drilling performance
- Drills with a “rotation-stop” mode can use chiselling bits
- One-handed quick chucking operation
- Can only be held in an SDS chuck
- High torque transmission

The flute (spiral) with a long pitch (lead) permits a quick removal of the aggregates (dust) the new finishing (treatment) “sandblasted” strengthens the body of the drill in the surface while guaranteeing good flexibility. Ideal for soft and medium hard materials and for wet concrete. The shank is suitable for all SDS plus hammer drilling machines.

Environmental Statement

Diager and Sutton Tools masonry drills are certified ISO 14001 for sustainable development. These products contribute to environmental protection by a “sandblasted” surface treatment which guarantees zero heavy metals and by a protection called “without VOC (Volatile Organic Compounds)” meeting the European directive 1999/13CE.

Helpful Hints when Drilling



Drilling Metal

- When using a hand held drill, make sure to drill straight into the hole. Do not use too much pressure in a pedestal drill.
- Step feeding or pecking is required for drilling greater than 3 x Ø.
- When drilling cast surface & black ie not machined surface, reduce drilling speed by 20%.
- For larger diameter holes (above approx. 8mm) start with a pilot drill approx. one quarter of the final hole size.
- For hole depths greater than 7 x Ø, pre-drill with short rigid drill (approx. 3 x Ø in depth) initially to pilot start for more accurate hole position and eliminate drill wandering.
- Use Sutton Tools' cutting fluid when drilling metal.



Drilling Masonry

- Set the depth on your machine or mark the required depth on the shank of your drill bit.
- Use a slow speed with light pressure or drill in short bursts to make a shallow hole.
- Drill into the shallow hole with a high speed and hammer function or withdraw the drill bit constantly.
- Let the drill do the work, forcing will dull the tip.
- Let the drill cool occasionally if the drill takes long.

Hint: If you hit an especially hard piece of concrete, insert a masonry nail into the hole and hammer to break the concrete. A special drill is required for drilling reinforced concrete, ie Booster Multi-fit.

WARNINGS:

One of the largest causes of masonry drills failing is the excessive heat build-up that can be generated by the end user using a too high of RPM. Do not cool with water or oil, as the drill bit might break.



Drilling Tiles (Glass & Tile Drill)

- Mark the location of the hole you want to drill on the porcelain.
- If working with a loose tile support it by placing a piece of MDF board behind the tile for backing.
- Apply the Sutton lubricant to keep the drill from overheating.
- Insert your drill bit into a power drill (rotary setting only) – No impact/hammer setting.
- Use a slow speed to penetrate the hard outer surface and apply steady pressure to ensure the drill bit bores into the tile.
- If the drill bit starts to smoke stop and apply more lubricant.



Drilling Timber

- Mark your hole location and create a small divot on the wood at the centre of your mark.
- Set the depth on your machine or mark the required depth on the shank of your drill bit.
- Place the drill at the divot and set up the alignment. When using a pedestal drill, centre the divot underneath the sharp tip of the drill.
- Start the drill and use moderate pressure and slow speed to avoid misalignment, splintering or slipping.
- Use moderate pressure and slow speed; withdraw to allow the sawdust and woodchips to exit. You now have a straight, smooth hole perfect for dowelling.

Hint: It is important to clear chips from the hole to avoid burning or damage to the hole.